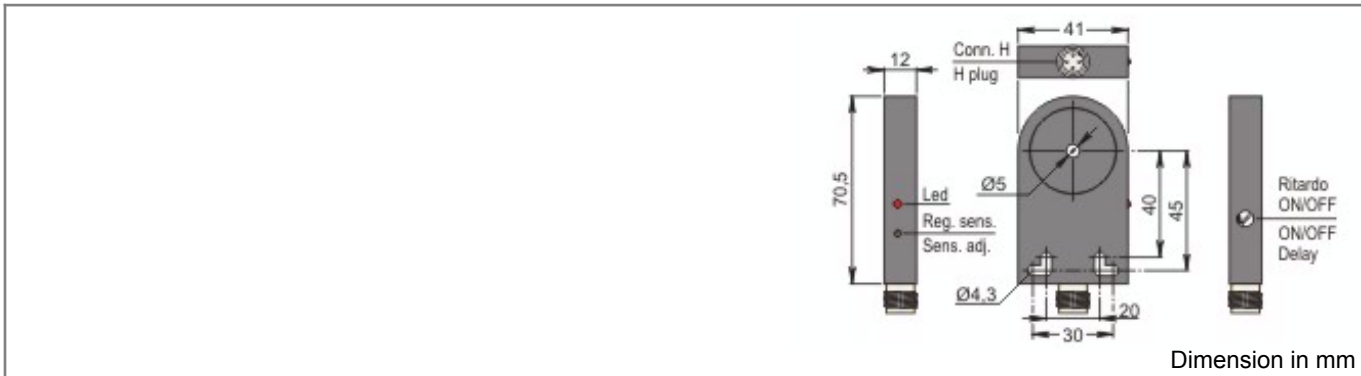
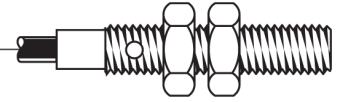




Part number: SIA000138 - Model: SIA05-CE PNP NO+NC H R

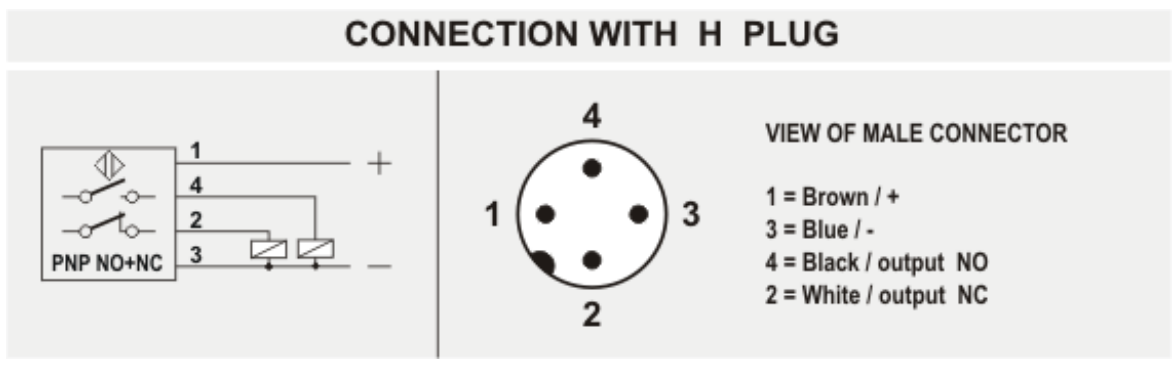


TECHNICAL CHARACTERISTICS	
Power supply:	Direct current
Working voltage:	10 ÷ 30 Vdc
Sensing hole diameter (mm):	5
Minimum detectable object (mm):	Ø 0.7 x 1
Output logic:	PNP
Function:	NO+NC
Hysteresis (%Sn):	Depends on the sensitivity
Max switching frequency:	See instructions for installation
Delay ON de-energization:	100 mSec (when inserted)
Repeatability (%Sn):	< = 0.3
Max output current:	200 mA
Absorption:	< 15 mA @ 24Vdc
Voltage drop:	< 1.8 V
Short circuit protection:	Present
Led indicator:	Present
Temperature limits:	-20 ÷ +60 °C
IP rating:	Depending on connector
Housing material:	Plastic
Mechanical characteristics:	SIA05 41x70.5x12
Connection type:	H plug
Weigth:	50 g

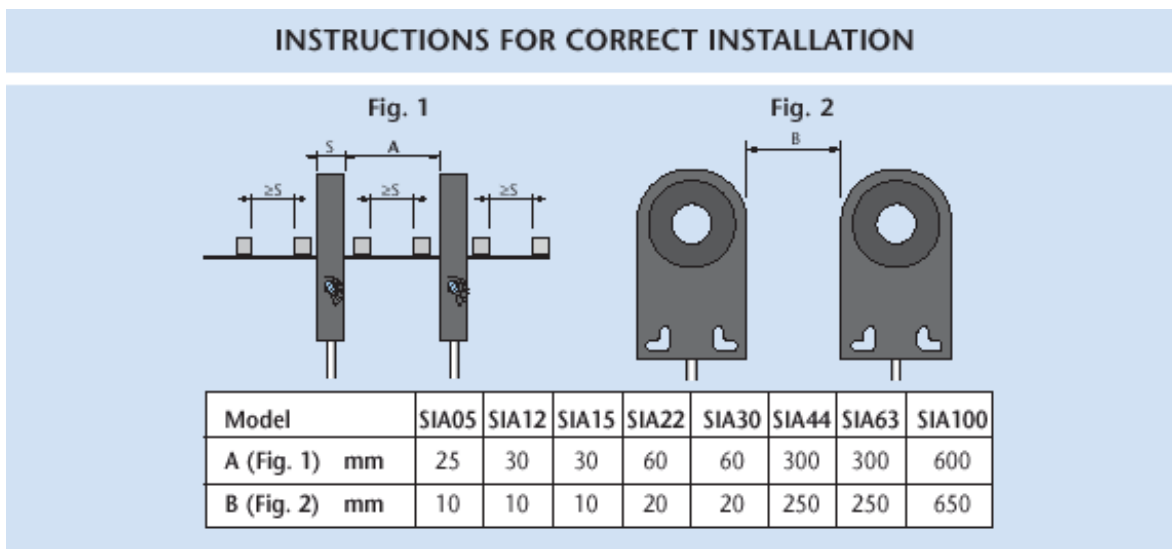


Part number: SIA000138 - Model: SIA05-CE PNP NO+NC H R

WIRING DIAGRAM



INSTRUCTIONS FOR CORRECT INSTALLATION



MIN. DIMENSIONS OF THE OBJECT TO DETECT (Fe37)

Model	SIA05	
Lenght	mm	1
Diameter	mm	0.7

SWITCHING FREQUENCY

The switching frequency of inductive ring sensors depends on delayed impulse time (**when inserted**) according to the formula :

$$\text{Switching frequency (Hz)} = \frac{1}{(T \text{ impulse} + 10) \text{ mS}}$$

Vice versa, the switching frequency will be between 600+1500 Hz.