



**Part number: SIA000219 - Model: SIA15-NE LC10**

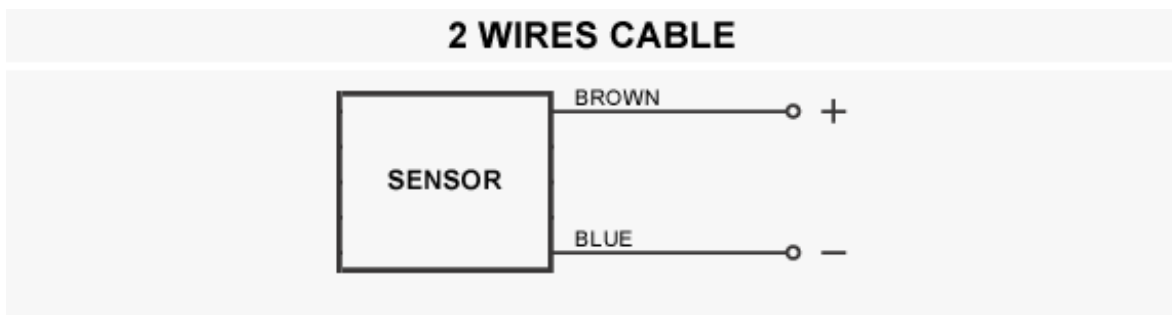


| <b>TECHNICAL CHARACTERISTICS</b> |                                   |
|----------------------------------|-----------------------------------|
| Power supply:                    | Direct current                    |
| Working voltage:                 | 5 ÷ 30 Vdc                        |
| Sensing hole diameter (mm):      | 15                                |
| Minimum detectable object (mm):  | Ø 1.2 x 2                         |
| Max switching frequency:         | 600 ÷ 1000 Hz                     |
| Repeatability (%Sn):             | < = 0.3                           |
| Absorption:                      | On < = 1 mA - Off > = 3 mA @ 8.2V |
| Temperature limits:              | -20 ÷ +60 °C                      |
| IP rating:                       | IP 65                             |
| Housing material:                | Plastic                           |
| Mechanical characteristics:      | SIA15 30x60x8                     |
| Connection type:                 | Cable 10 m                        |
| Cable type:                      | 2x0.25 PVC                        |
| Weighth:                         | 260 g                             |



**Part number: SIA000219 - Model: SIA15-NE LC10**

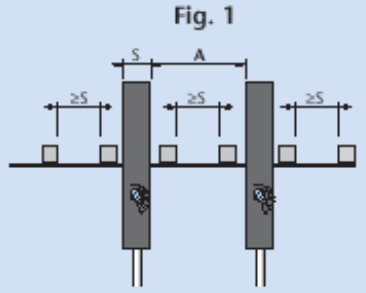
**WIRING DIAGRAM**



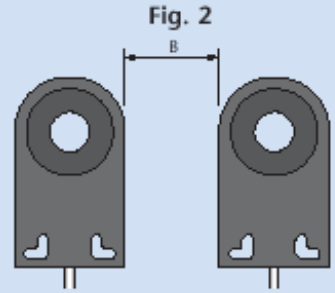
**INSTRUCTIONS FOR CORRECT INSTALLATION**

**INSTRUCTIONS FOR CORRECT INSTALLATION**

**Fig. 1**



**Fig. 2**

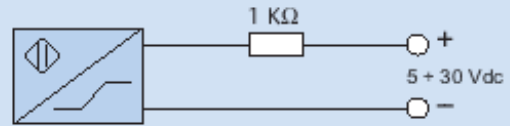


| Model         | SIA05 | SIA12 | SIA15 | SIA22 | SIA30 | SIA44 | SIA63 | SIA100 |
|---------------|-------|-------|-------|-------|-------|-------|-------|--------|
| A (Fig. 1) mm | 25    | 30    | 30    | 60    | 60    | 300   | 300   | 600    |
| B (Fig. 2) mm | 10    | 10    | 10    | 20    | 20    | 250   | 250   | 650    |

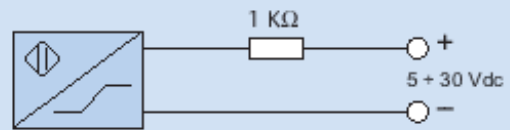
## WORKING PRINCIPLE



In presence of metal  $I \leq 1 \text{ mA @ } 8.2 \text{ V}$



In absence of metal  $I \geq 3 \text{ mA @ } 8.2 \text{ V}$



The NAMUR sensors are electronic devices whose absorbed current varies in the presence of a metallic object. The difference between these sensors and traditional sensors is the absence of amplifier trigger stages.