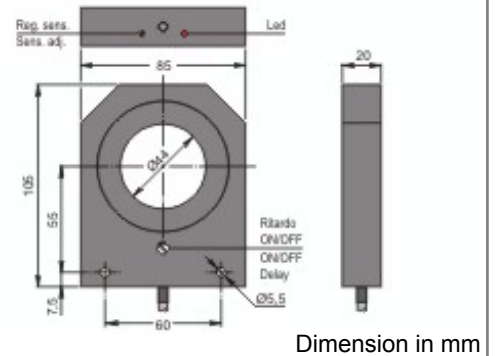




Part number: SIA000326 - Model: SIA44-CE PNP NO+NC R LC5



Dimension in mm

TECHNICAL CHARACTERISTICS

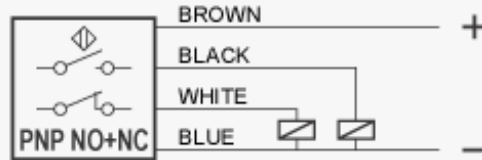
| | |
|---------------------------------|-----------------------------------|
| Power supply: | Direct current |
| Working voltage: | 10 ÷ 30 Vdc |
| Sensing hole diameter (mm): | 44 |
| Minimum detectable object (mm): | Ø 5 x 9 |
| Output logic: | PNP |
| Function: | NO+NC |
| Hysteresis (%Sn): | Depends on the sensitivity |
| Max switching frequency: | See instructions for installation |
| Delay ON de-energization: | 100 mSec (when inserted) |
| Repeatability (%Sn): | < = 0.3 |
| Max output current: | 200 mA |
| Absorption: | < 15 mA @ 24Vdc |
| Voltage drop: | < 1.8 V |
| Short circuit protection: | Present |
| Led indicator: | Present |
| Temperature limits: | -20 ÷ +60 °C |
| IP rating: | IP 65 |
| Housing material: | Plastic |
| Mechanical characteristics: | SIA44 85x105x20 |
| Connection type: | Cable 5 m |
| Cable type: | 4x0.25 PVC |
| Weight: | 350 g |



Part number: SIA000326 - Model: SIA44-CE PNP NO+NC R LC5

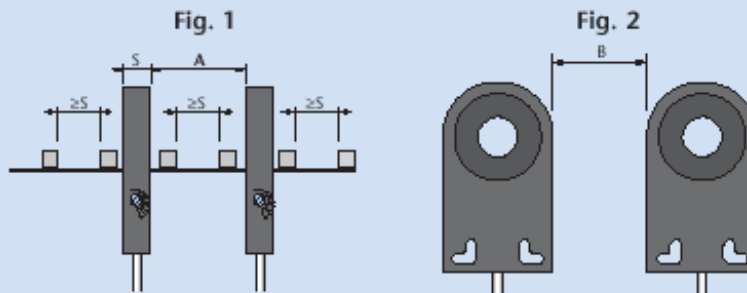
WIRING DIAGRAM

4 WIRES CABLE - LOGIC PNP NO+NC



INSTRUCTIONS FOR CORRECT INSTALLATION

INSTRUCTIONS FOR CORRECT INSTALLATION



| Model | SIA05 | SIA12 | SIA15 | SIA22 | SIA30 | SIA44 | SIA63 | SIA100 |
|---------------|-------|-------|-------|-------|-------|-------|-------|--------|
| A (Fig. 1) mm | 25 | 30 | 30 | 60 | 60 | 300 | 300 | 600 |
| B (Fig. 2) mm | 10 | 10 | 10 | 20 | 20 | 250 | 250 | 650 |

MIN. DIMENSIONS OF THE OBJECT TO DETECT (Fe37)

| Model | SIA44 | |
|----------|-------|---|
| Lenght | mm | 9 |
| Diameter | mm | 5 |

SWITCHING FREQUENCY

The switching frequency of inductive ring sensors depends on delayed impulse time (**when inserted**) according to the formula :

$$\text{Switching frequency (Hz)} = \frac{1}{(T \text{ impulse} + 10) \text{ mS}}$$

Vice versa, the switching frequency will be between 250+600 Hz.