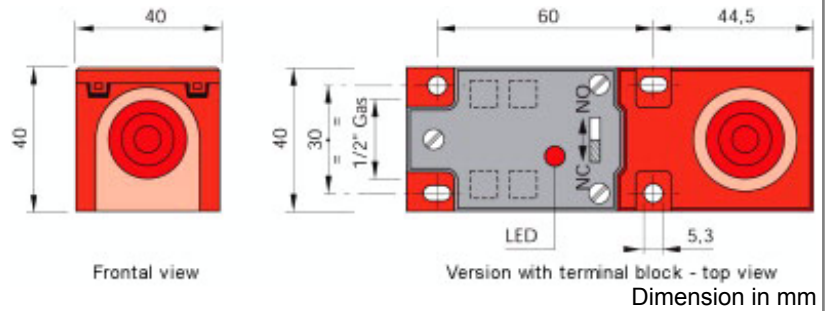




Part number: SIP000091 - Model: SIP40-BE20 NO/NC



TECHNICAL CHARACTERISTICS

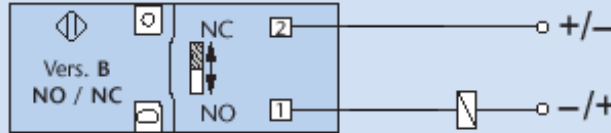
Power supply:	Direct current
Working voltage:	10 ÷ 55 Vdc
Switching distance (mm):	20
Function:	NO/NC programmable
Hysteresis (%Sn):	< 10%
Max switching frequency:	300 Hz
Repeatability (%Sn):	< = 3
Max output current:	100 mA
Min output current:	1.5 mA
Residual current:	< 0.6 mA
Voltage drop:	< 6.5 V
Short circuit protection:	Present
Led indicator:	Present
Temperature limits:	-25 ÷ +70 °C
IP rating:	IP 65
Housing material:	Plastic
Mechanical characteristics:	SIP 40x40x114
Connection type:	Terminal block
Weigth:	200 g



Part number: SIP000091 - Model: SIP40-BE20 NO/NC

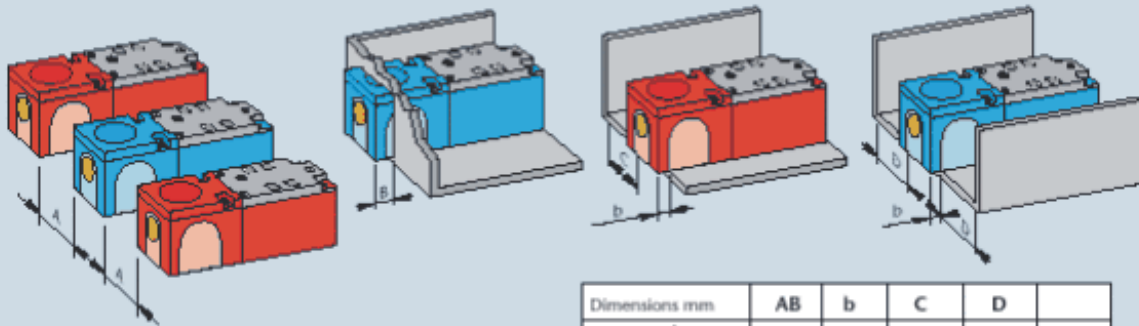
WIRING DIAGRAM

CONNECTIONS WITH TERMINAL BLOCK



INSTRUCTIONS FOR CORRECT INSTALLATION

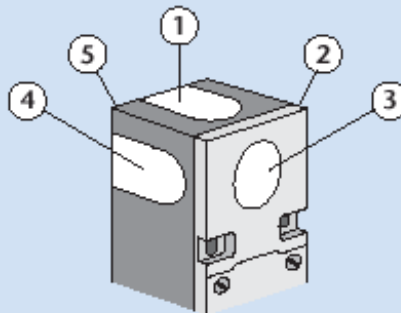
INSTRUCTIONS FOR CORRECT INSTALLATION



• The installation example makes reference to the areas marked yellow

Dimensions mm	AB	b	C	D	
SIP 40 ▲	≥30	≥6	≥0	≥0	≥0
SIP 40 ●	≥50	≥40	≥15	≥10	≥15

ADJUSTABLE SENSITIVITY SIP 40



NOTE: In the SIP 40 sensor the oscillator is contained in a module which clips into the body whose surface can then be sensitive on five different positions. The surface chosen can be identified by applying the circular adhesive label.