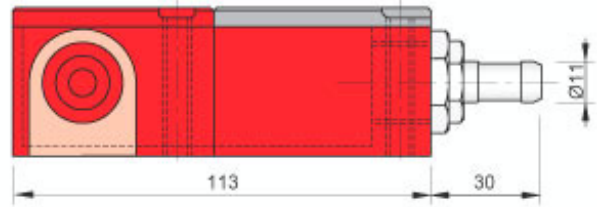




Part number: SIP000097 - Model: SIP40-CE20 NPN NO+NC LC2



Version with cable exit - side view (IP 67)

Dimension in mm

TECHNICAL CHARACTERISTICS

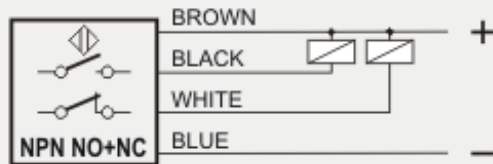
| | |
|-----------------------------|-----------------|
| Power supply: | Direct current |
| Working voltage: | 10 ÷ 55 Vdc |
| Switching distance (mm): | 20 |
| Output logic: | NPN |
| Function: | NO+NC |
| Hysteresis (%Sn): | < 10% |
| Max switching frequency: | 300 Hz |
| Repeatability (%Sn): | < = 3 |
| Max output current: | 200 mA |
| Absorption: | < 10 mA @ 24Vdc |
| Voltage drop: | < 1.8 V |
| Short circuit protection: | Present |
| Led indicator: | Present |
| Temperature limits: | -25 ÷ +70 °C |
| IP rating: | IP 67 |
| Housing material: | Plastic |
| Mechanical characteristics: | SIP 40x40x114 |
| Connection type: | Cable 2 m |
| Cable type: | 4x0.25 PVC |
| Weighth: | 280 g |



Part number: SIP000097 - Model: SIP40-CE20 NPN NO+NC LC2

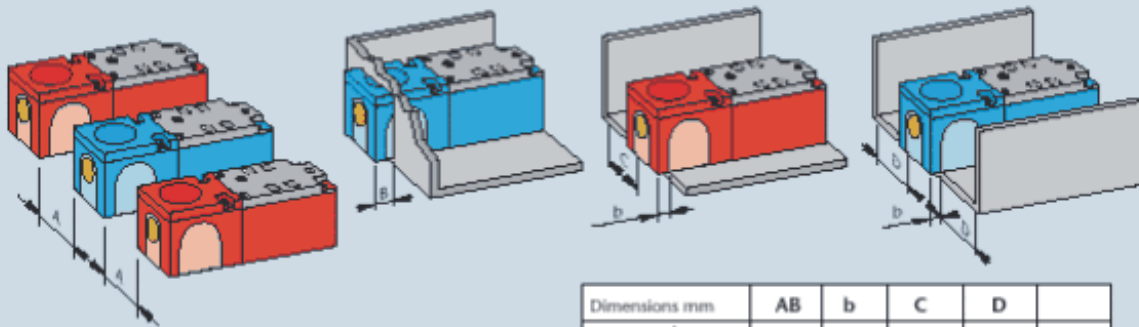
WIRING DIAGRAM

4 WIRES CABLE - LOGIC NPN NO+NC



INSTRUCTIONS FOR CORRECT INSTALLATION

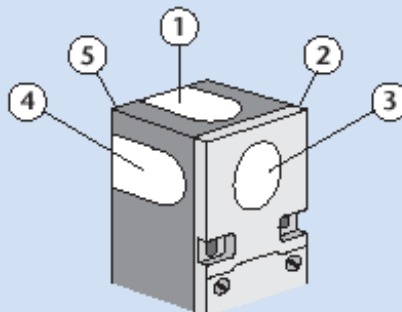
INSTRUCTIONS FOR CORRECT INSTALLATION



• The installation example makes reference to the areas marked yellow

| Dimensions mm | AB | b | C | D | |
|---------------|-----|-----|-----|-----|-----|
| SIP 40 ▲ | ≥30 | ≥6 | ≥0 | ≥0 | ≥0 |
| SIP 40 ● | ≥50 | ≥40 | ≥15 | ≥10 | ≥15 |

ADJUSTABLE SENSITIVITY SIP 40



NOTE: In the SIP 40 sensor the oscillator is contained in a module which clips into the body whose surface can then be sensitive on five different positions. The surface chosen can be identified by applying the circular adhesive label.