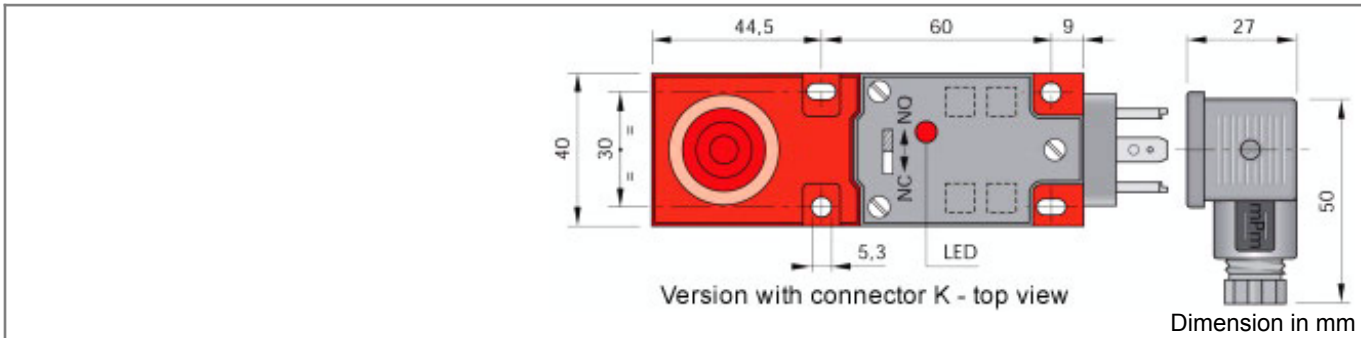




**Part number: SIP000100 - Model: SIP40-C15 PNP NO+NC K**

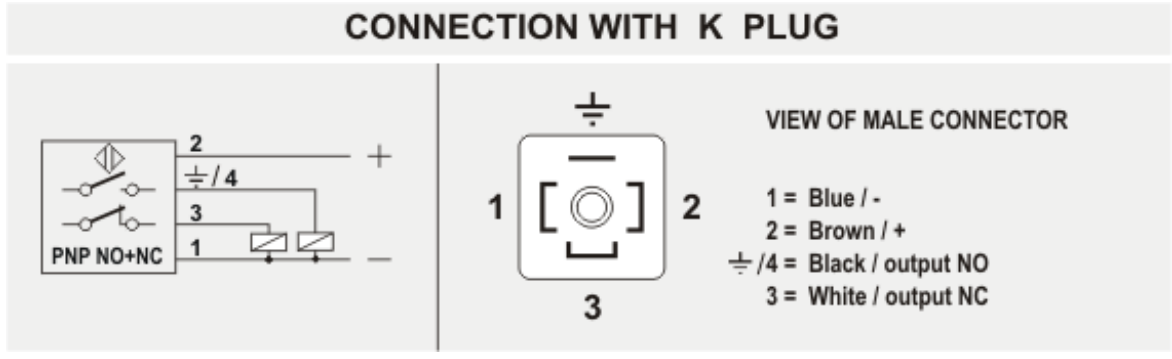


<b>TECHNICAL CHARACTERISTICS</b>	
Power supply:	Direct current
Working voltage:	10 ÷ 55 Vdc
Switching distance (mm):	15
Output logic:	PNP
Function:	NO+NC
Hysteresis (%Sn):	< 10%
Max switching frequency:	300 Hz
Repeatability (%Sn):	< = 3
Max output current:	200 mA
Absorption:	< 10 mA @ 24Vdc
Voltage drop:	< 1.8 V
Short circuit protection:	Present
Led indicator:	Present
Temperature limits:	-25 ÷ +70 °C
IP rating:	IP 65
Housing material:	Plastic
Mechanical characteristics:	SIP 40x40x114
Connection type:	K plug
Weigth:	220 g

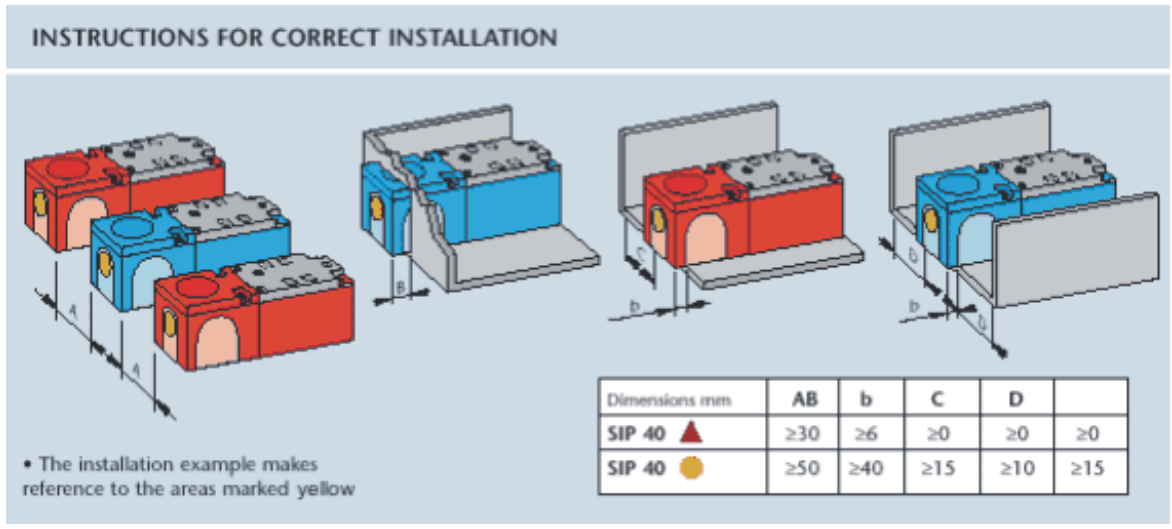


Part number: SIP000100 - Model: SIP40-C15 PNP NO+NC K

WIRING DIAGRAM



INSTRUCTIONS FOR CORRECT INSTALLATION



**ADJUSTABLE SENSITIVITY SIP 40**

