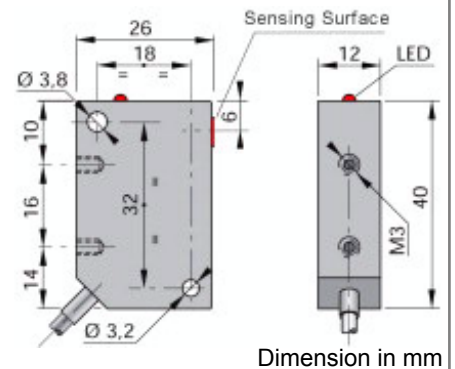




Part number: SIP000204 - Model: SIP12-C2 NPN NO+NC LC5



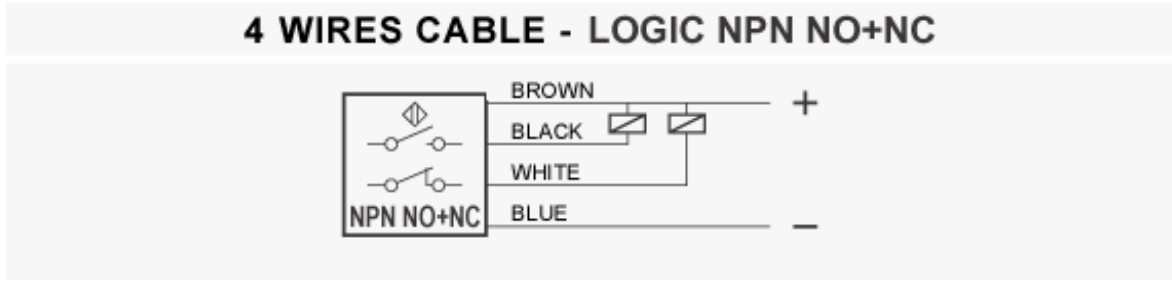
TECHNICAL CHARACTERISTICS

Power supply:	Direct current
Working voltage:	10 ÷ 30 Vdc
Switching distance (mm):	2
Output logic:	NPN
Function:	NO+NC
Hysteresis (%Sn):	< 10%
Max switching frequency:	1000 Hz
Repeatability (%Sn):	< = 3
Max output current:	200 mA
Absorption:	< 15 mA @ 24Vdc
Voltage drop:	< 1.8 V
Short circuit protection:	Present
Led indicator:	Present
Temperature limits:	-25 ÷ +70 °C
IP rating:	IP 67
Housing material:	Plastic
Mechanical characteristics:	SIP 12x40x26
Connection type:	Cable 5 m
Cable type:	4x0.25 PVC
Weighth:	180 g



Part number: SIP000204 - Model: SIP12-C2 NPN NO+NC LC5

WIRING DIAGRAM



INSTRUCTIONS FOR CORRECT INSTALLATION

