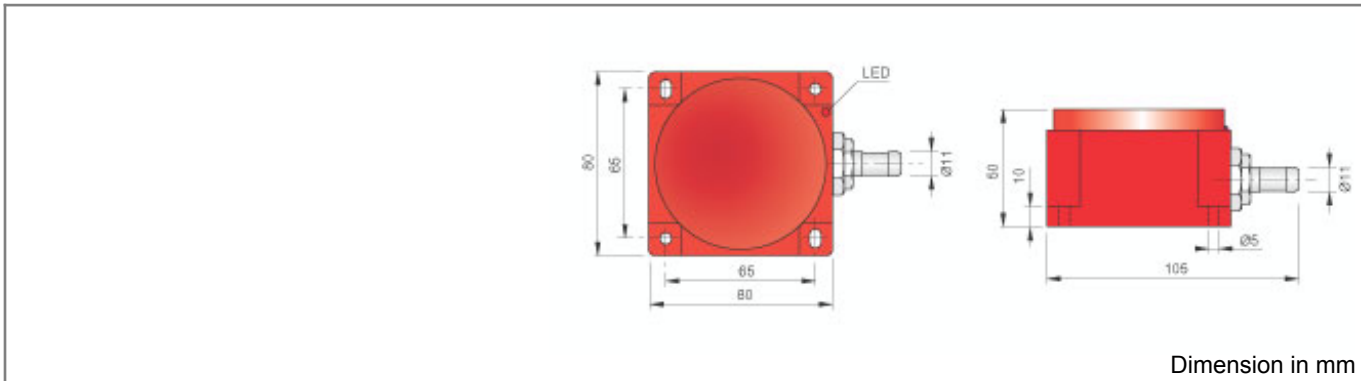




Part number: SIP000341 - Model: SIQ80-CE50 PNP NO+NC LC10



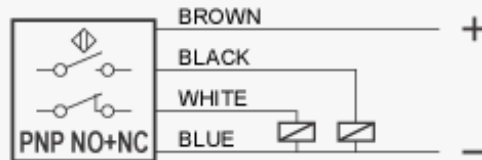
| TECHNICAL CHARACTERISTICS | |
|----------------------------------|----------------------|
| Power supply: | Direct current |
| Working voltage: | 10 ÷ 55 Vdc |
| Switching distance (mm): | 10 ÷ 60 (adjustable) |
| Output logic: | PNP |
| Function: | NO+NC |
| Hysteresis (%Sn): | < 10% |
| Max switching frequency: | 50 Hz |
| Repeatability (%Sn): | < = 3 |
| Max output current: | 200 mA |
| Absorption: | < 10 mA @ 24Vdc |
| Voltage drop: | < 1.8 V |
| Short circuit protection: | Present |
| Led indicator: | Present |
| Temperature limits: | -25 ÷ +70 °C |
| IP rating: | IP 67 |
| Housing material: | Plastic |
| Mechanical characteristics: | SIQ 80x80x50 |
| Connection type: | Cable 10 m |
| Cable type: | 2x0.50 PVC |
| Weighth: | 700 g |



Part number: SIP000341 - Model: SIQ80-CE50 PNP NO+NC LC10

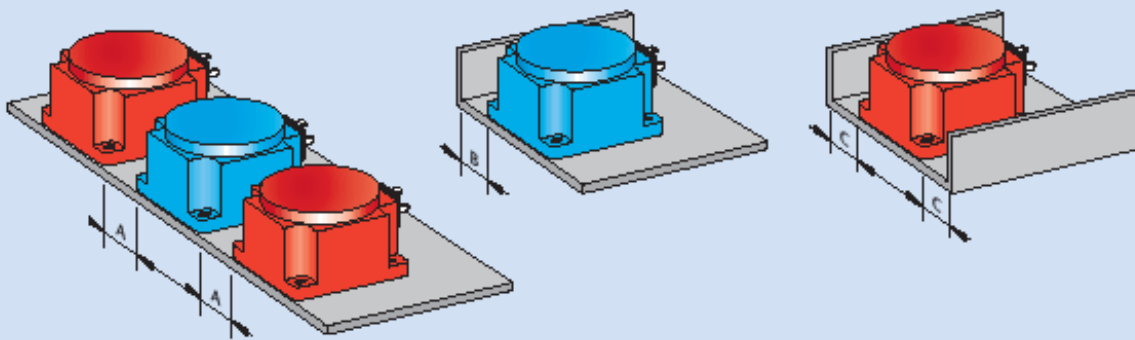
WIRING DIAGRAM

4 WIRES CABLE - LOGIC PNP NO+NC



INSTRUCTIONS FOR CORRECT INSTALLATION

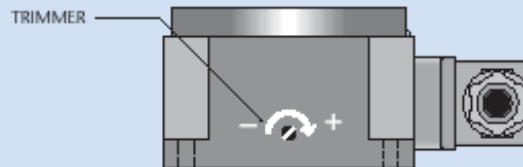
INSTRUCTIONS FOR CORRECT INSTALLATION



| Dimensions mm | A | B | C |
|---------------|------|-----|-----|
| SIQ 80 | ≥450 | ≥45 | ≥70 |

N.B.: A-B-C ratings are referred to Sn = 35 mm. To adjust less or more sensitivity they either must be decreased or increased.

SENSITIVITY ADJUSTMENT



This sensor is supplied with a trimmer for the sensitivity adjustment. The sensitivity increases when the trimmer is rotated in the clockwise direction and decreases in the anti-clockwise direction. Avoid using for a capacity greater than 60 mm referred to a square piece of (FE 37) steel of 1 mm thickness the side of which is equal to 100 mm. When setting the sensor keep in consideration all other metallic objects nearby, in fact setting is suggested to be made when the sensor is installed in the normal working conditions. The sensor is supplied already pre-set to 50 mm sensitivity.