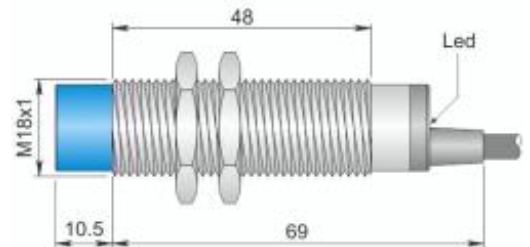




**Part number: Y1800023 - Model: SI18-AE8 NC AD3**



Dimension in mm

### TECHNICAL CHARACTERISTICS

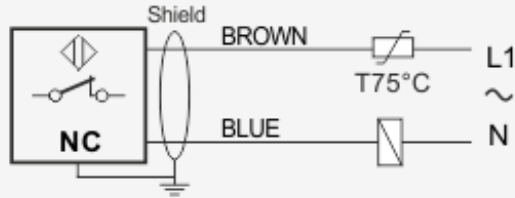
|   |   |
|---|---|
| Power supply:                           | Alternating current   |
| Working voltage:                        | 20 ÷ 250 Vac  |
| Switching distance (mm):                | 8   |
| Function:                               | NC  |
| Hysteresis (%Sn):                       | < 10%   |
| Max. switching frequency:               | 12 Hz   |
| Repeatability (%Sn):                    | < = 3   |
| Max. output current:                    | 200 mA  |
| Min. output current:                    | 5 mA  |
| Max. peak current for 20msec:           | 1.5 A   |
| Residual current:                       | < 1 mA  |
| Voltage drop:                           | < 6 V   |
| Led indicator:                          | Present   |
| Operating temperature range:            | -25 ÷ +60 °C  |
| Storage temperature range:              | -25 ÷ +70 °C  |
| Max. surface temperature:               | +85 °C  |
| Mechanical characteristics:             | M18x1   |
| Connection type:                        | Cable 3 m   |
| Limiting device of surface temperature: | Intervention at 75 ° C non-resettable                           |
| IP rating:                              | IP67  |
| Cable type:                             | 2x0.35 PVC shielded   |
| Weight:                                 | 100g  |
| Explosive atmosphere type:              | Air/Dust mixture  |
| Equipment category:                     | 3D  |
| Installation area:                      | Zone 22   |
| Protection method:                      | Protection by enclosure   |
| Marking:                                | II 3D Ex tc IIIC T85°C Dc IP67 X -25< Ta                        |
| Conforming standard:                    | EN60079-0, EN60079-31, EN61000-6-2, EN61000-6-4 and EN60947-5-2 |



Part number: Y1800023 - Model: SI18-AE8 NC AD3

WIRING DIAGRAM

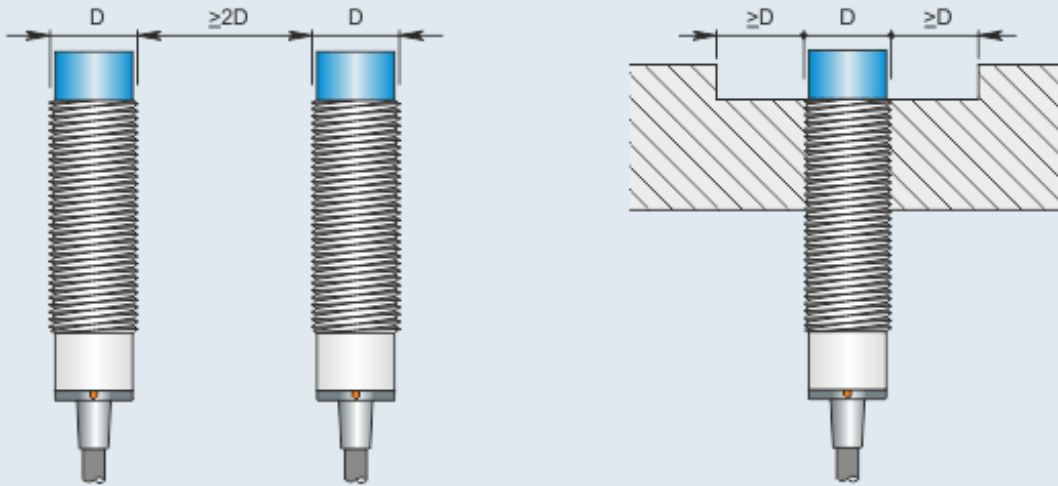
2 WIRES CABLE



INSTRUCTIONS FOR CORRECT INSTALLATION

INSTRUCTIONS FOR CORRECT INSTALLATION

NOT EMBEDDABLE



Side by side mounting

Non flush mounting