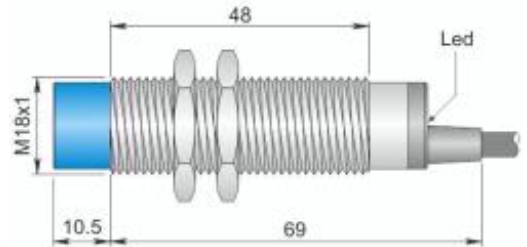




Part number: Y1800024 - Model: SI18-AE8 NO AD3



Dimension in mm

TECHNICAL CHARACTERISTICS

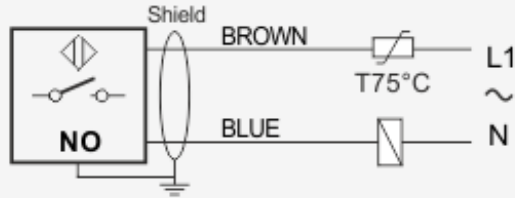
| | |
|---|---|
| Power supply: | Alternating current |
| Working voltage: | 20 ÷ 250 Vac |
| Switching distance (mm): | 8 |
| Function: | NO |
| Hysteresis (%Sn): | < 10% |
| Max. switching frequency: | 12 Hz |
| Repeatability (%Sn): | < = 3 |
| Max. output current: | 200 mA |
| Min. output current: | 5 mA |
| Max. peak current for 20msec: | 1.5 A |
| Residual current: | < 1 mA |
| Voltage drop: | < 6 V |
| Led indicator: | Present |
| Operating temperature range: | -25 ÷ +60 °C |
| Storage temperature range: | -25 ÷ +70 °C |
| Max. surface temperature: | +85 °C |
| Mechanical characteristics: | M18x1 |
| Connection type: | Cable 3 m |
| Limiting device of surface temperature: | Intervention at 75 ° C non-resettable |
| IP rating: | IP67 |
| Cable type: | 2x0.35 PVC shielded |
| Weigth: | 100g |
| Explosive atmosphere type: | Air/Dust mixture |
| Equipment category: | 3D |
| Installation area: | Zone 22 |
| Protection method: | Protection by enclosure |
| Marking: | II 3D Ex tc IIIC T85°C Dc IP67 X -25< Ta |
| Conforming standard: | EN60079-0, EN60079-31, EN61000-6-2, EN61000-6-4 and EN60947-5-2 |



Part number: Y1800024 - Model: SI18-AE8 NO AD3

WIRING DIAGRAM

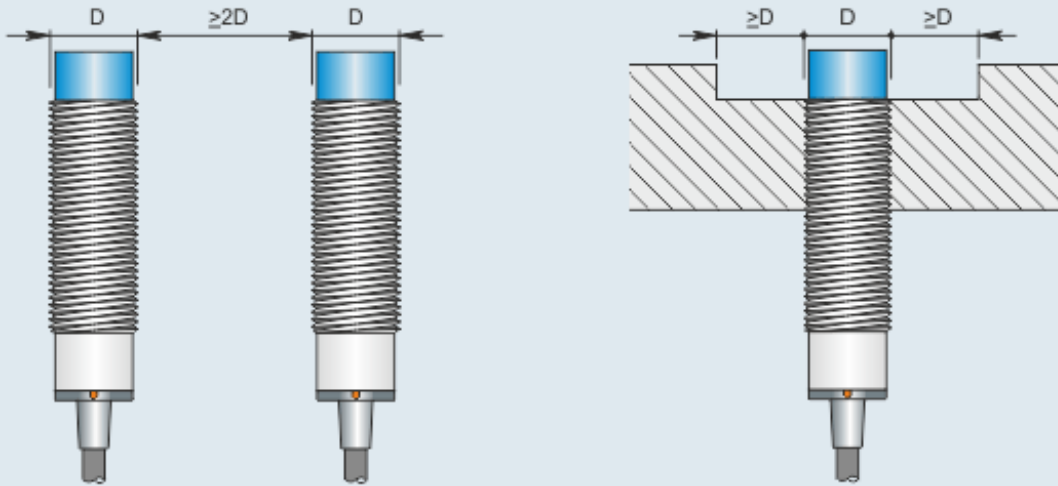
2 WIRES CABLE



INSTRUCTIONS FOR CORRECT INSTALLATION

INSTRUCTIONS FOR CORRECT INSTALLATION

NOT EMBEDDABLE



Side by side mounting

Non flush mounting