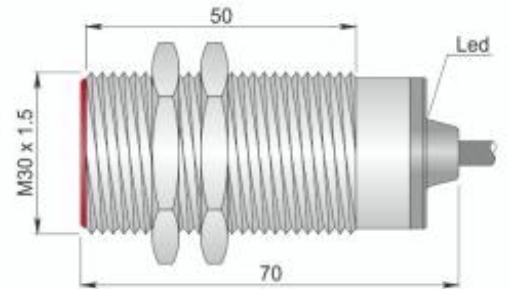




Part number: Y30000028 - Model: SI30-C10 PNP NO+NC AD3



Dimension in mm

TECHNICAL CHARACTERISTICS

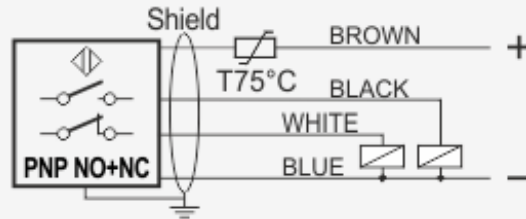
| | |
|---|--|
| Power supply: | Direct current |
| Working voltage: | 10 ÷ 30 Vdc |
| Switching distance (mm): | 10 |
| Output logic: | PNP |
| Function: | NO+NC |
| Hysteresis (%Sn): | < 10% |
| Max. switching frequency: | 300 Hz |
| Repeatability (%Sn): | < = 3 |
| Max. output current: | 200 mA |
| Absorption: | < 15 mA @ 24Vdc |
| Voltage drop: | < 1.8 V |
| Short circuit protection: | Present |
| Led indicator: | Present |
| Operating temperature range: | -25 ÷ +60 °C |
| Storage temperature range: | -25 ÷ +70 °C |
| Max. surface temperature: | +85 °C |
| Mechanical characteristics: | M30x1.5 |
| Connection type: | Cable 3 m |
| Limiting device of surface temperature: | Intervention at 75 ° C non-resettable |
| IP rating: | IP67 |
| Cable type: | 4x0.25 PVC shielded |
| Weight: | 250g |
| Explosive atmosphere type: | Air/Dust mixture |
| Equipment category: | 3D |
| Installation area: | Zone 22 |
| Protection method: | Protection by enclosure |
| Marking: | II 3D Ex tc IIIC T85°C Dc IP67 X -25< Ta |
| Conforming standard: | EN60079-0 e EN60079-31 |



Part number: Y30000028 - Model: SI30-C10 PNP NO+NC AD3

WIRING DIAGRAM

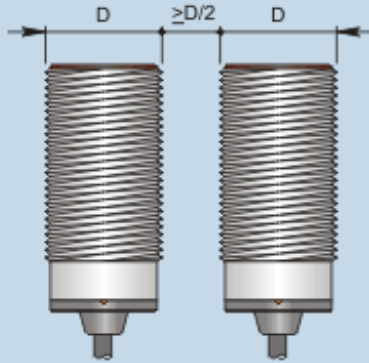
4 WIRES CABLE - LOGIC PNP NO+NC



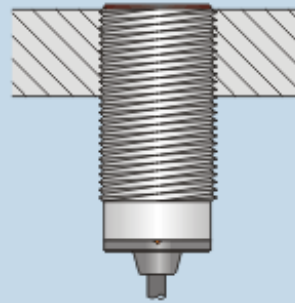
INSTRUCTIONS FOR CORRECT INSTALLATION

INSTRUCTIONS FOR CORRECT INSTALLATION

EMBEDDABLE



Side by side mounting



Flush mounting