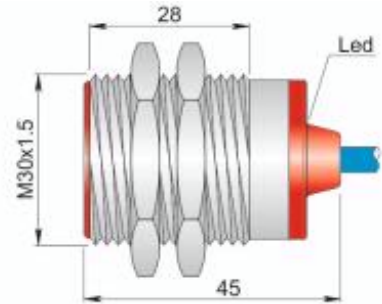




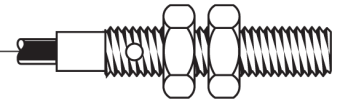
**Part number: Y3000041 - Model: SI30-N10 LC10 AGD1**



Dimension in mm

**TECHNICAL CHARACTERISTICS**

|  |  |
|--|--|
| Power supply:                            | Direct current   |
| Working voltage:                         | 8.2 Vdc (1Kohm)  |
| Switching distance (mm):                 | 10   |
| Output type:                             | Namur  |
| Hysteresis (%Sn):                        | 1 ÷ 10   |
| Max. switching frequency:                | 500 Hz   |
| Repeatability (%Sn):                     | < = 3  |
| Current absorption at 8.2V:              | Target detected < = 1 mA - Target not detected >= 3 mA   |
| Led indicator:                           | Present  |
| Operating temperature limits:            | -25 ÷ +60 °C   |
| Storage temperature limits:              | -30 ÷ +70 °C   |
| IP rating:                               | IP 67  |
| Housing material:                        | Nickelled brass  |
| Cable type:                              | 2x0.50 mm <sup>2</sup> PVC   |
| Weight:                                  | 400 g  |
| Mechanical characteristics:              | M30x1.5  |
| Connection type:                         | Cable 10 m   |
| Explosive atmosphere type:               | Mixture Air/gas and/or Air/Dust  |
| Equipment category:                      | 1G / 1D  |
| Installation area:                       | Gas: Zone 0, Zone 1 and Zone 2 - Dust: Zone 20, Zone 21 and Zone22                                 |
| Protection method:                       | Intrinsically safe   |
| Marking:                                 | Gas: II 1G Ex ia IIC T6 Ga - Dust: II 1D Ex ia IIIC T85°C Da -25< Ta                               |
| Safety information:                      | Connection to certified intrinsically safe circuits only with the following values : Uo < = 17 V , |
| Conforming standard:                     | EN60079-0, EN60079-11, EN60079-26 and EN60947-5-6  |
| EC-type examination certificate - ATEX:  | IMQ 13 ATEX 019  |
| Certificate of conformity (CoC) - IECEx: | IECEx IMQ 13.0012X   |

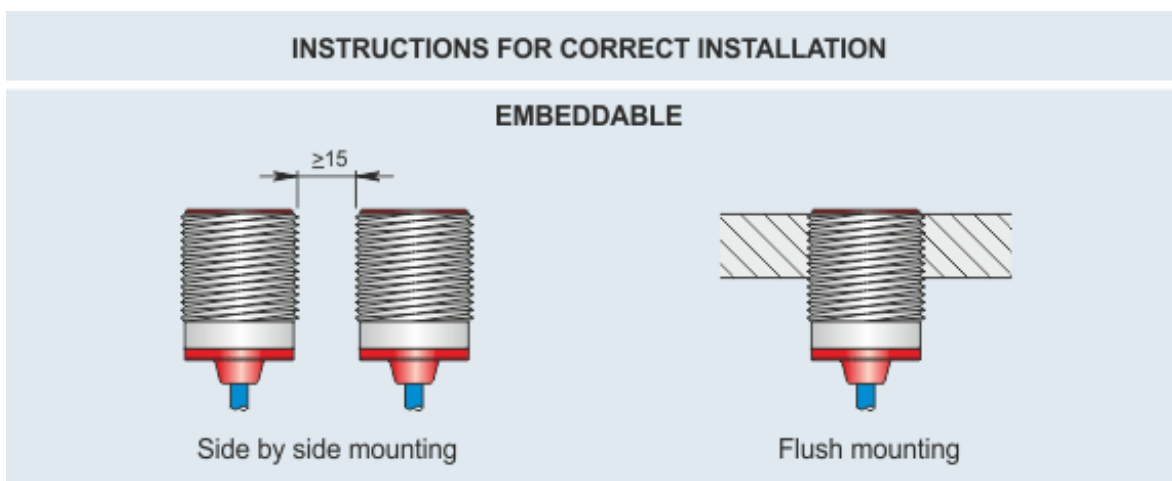


**Part number: Y30000041 - Model: SI30-N10 LC10 AGD1**

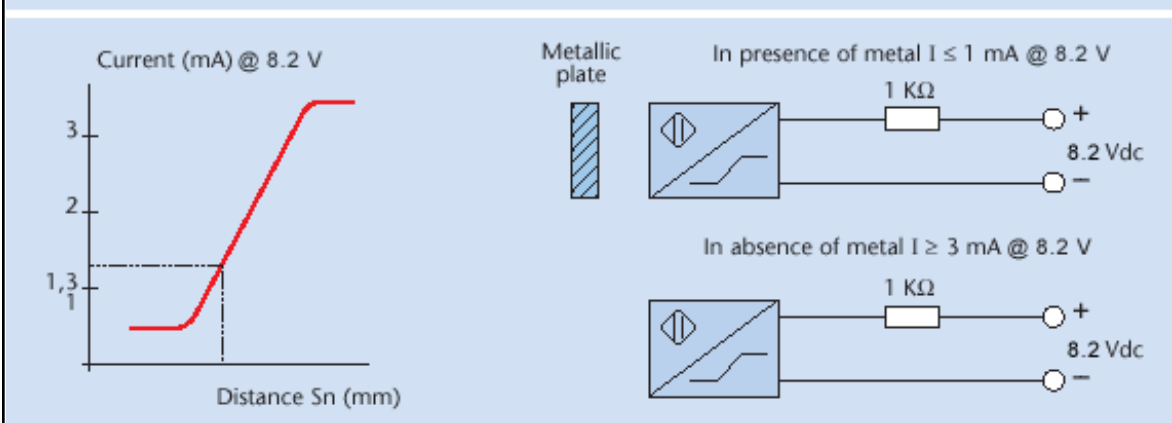
**WIRING DIAGRAM**



**INSTRUCTIONS FOR CORRECT INSTALLATION**



**WORKING PRINCIPLE**



The NAMUR EX sensors are electronic devices whose absorbed current varies in the presence of a metallic object. The difference between these sensors and traditional sensors is the absence of amplifier trigger stages.

