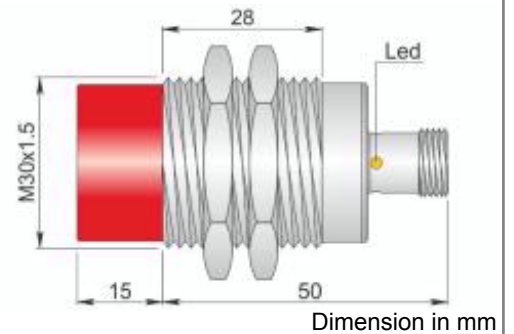




Part number: Y30000046 - Model: SI30-NE15 H AGD1



TECHNICAL CHARACTERISTICS

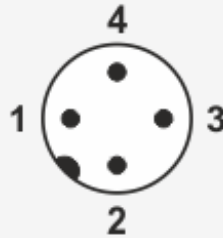
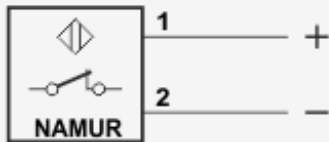
Power supply:	Direct current
Working voltage:	8.2 Vdc (1Kohm)
Switching distance (mm):	15
Output type:	Namur
Hysteresis (%Sn):	1 ÷ 10
Max. switching frequency:	500 Hz
Repeatability (%Sn):	< = 3
Current absorption at 8.2V:	Target detected < = 1 mA - Target not detected >= 3 mA
Led indicator:	Present
Operating temperature limits:	-25 ÷ +60 °C
Storage temperature limits:	-30 ÷ +70 °C
IP rating:	IP 67
Housing material:	Nickelled brass
Weight:	120 g
Mechanical characteristics:	M30x1.5
Connection type:	H plug
Explosive atmosphere type:	Mixture Air/gas and/or Air/Dust
Equipment category:	1G / 1D
Installation area:	Gas: Zone 0, Zone 1 and Zone 2 - Dust: Zone 20, Zone 21 and Zone22
Protection method:	Intrinsically safe
Marking:	Gas: II 1G Ex ia IIC T6 Ga - Dust: II 1D Ex ia IIIC T85°C Da -25< Ta
Safety information:	Connection to certified intrinsically safe circuits only with the following values : Uo < = 17 V ,
Conforming standard:	EN60079-0, EN60079-11, EN60079-26 and EN60947-5-6
EC-tipe examination certificate - ATEX:	IMQ 13 ATEX 019
Certificate of conformity (CoC) - IECEX:	IECEX IMQ 13.0012X



Part number: Y30000046 - Model: SI30-NE15 H AGD1

WIRING DIAGRAM

CONNECTION WITH H PLUG



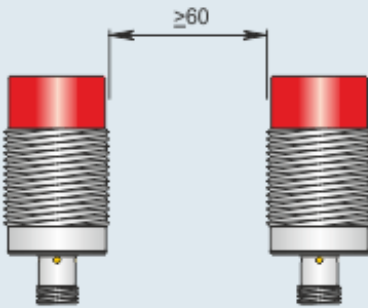
VIEW OF MALE CONNECTOR

1 = Brown / +
2 = Blue / -

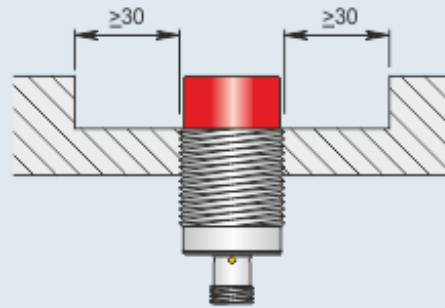
INSTRUCTIONS FOR CORRECT INSTALLATION

INSTRUCTIONS FOR CORRECT INSTALLATION

NOT EMBEDDABLE



Side by side mounting

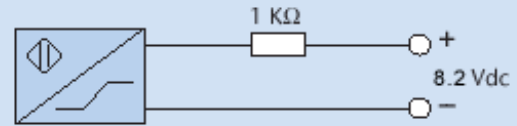


Non flush mounting

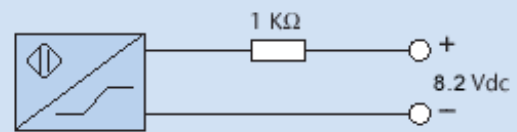
WORKING PRINCIPLE



In presence of metal $I \leq 1 \text{ mA @ } 8.2 \text{ V}$



In absence of metal $I \geq 3 \text{ mA @ } 8.2 \text{ V}$



The NAMUR EX sensors are electronic devices whose absorbed current varies in the presence of a metallic object. The difference between these sensors and traditional sensors is the absence of amplifier trigger stages.