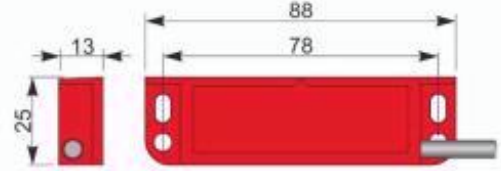




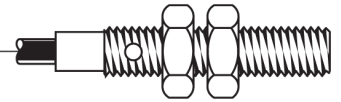
Part number: QMP00045 - Model: SMS88-P5 NO+2NC CR



Dimension in mm

TECHNICAL CHARACTERISTICS

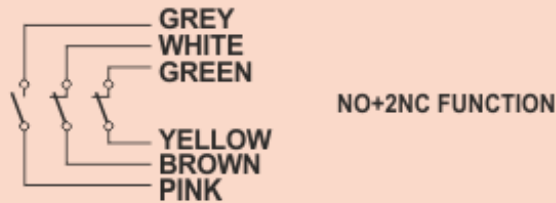
Rated operational voltage Ue:	24 Vac/dc
Rated operational current Ie:	0.25A
Max switching load:	6W (resistive load)
Function:	NO+2NC (with magnetic actuator present)
Thermal current ITh:	0.25A
Rated insulation voltage Ui:	120Vac
Rated impulse withstand voltage Uimp:	6KV
Electrical endurance:	1 million of cycles
Assured operating distance Sao:	5 mm with target AMS88-P5 and 8 mm with target AMS88-P8
Assured release distance Sar:	15 mm with target AMS88-P5 and 20 mm with target AMS88-P8
Repeat accuracy:	< 10%
Switching distance:	200Hz
Response time:	
SIL level (SIL CL):	up to SIL3 according to IEC 62061 e EN 62061
Performance level (PL):	up to PL e according to EN ISO 13849-1
Safety category:	up to 4 according to EN ISO 13849-1
B10d for each channel:	400.000 cycles (full load: DC12, 24V, 0.25A) e 20.000.000 of cycles (with AECO safety Module)
Conformig to the standard:	EN 60947-1, IEC 60947-1, EN 60947-5-1, IEC 60947-5-1, EN 60947-5-2, IEC 60947-5-2, EN 60947-5-3 , IE
Conforms to the directives:	2006/42/EC - Machinery Directive and 2014/30/EU - Electromagnetic Compatibility Directive
Temperature limits:	-25 ÷ +80°C
Protection degree:	IP67
Pollution degree:	3
Schock resistance:	30gn -11ms according to IEC 60068-2-27 and EN 60068-2-27
Vibrations resistance:	10gn-(10 ... 150Hz) according to IEC 60068-2-6 and EN 60068-2-6
Cable type:	PVC 6x0.25mm ²
Housing material:	PBT +FV



Part number: QMP000045 - Model: SMS88-P5 NO+2NC CR

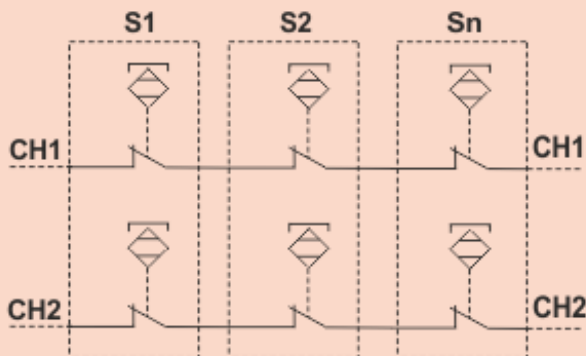
WIRING DIAGRAM

6 WIRES CABLE MODEL



INSTRUCTIONS FOR CORRECT INSTALLATION

CONNECTION OF MORE SENSORS TO SAFETY MODULE



It is possible connect in series more safety magnetic sensors to the module **MS-ER MA R01**. The total resistance of the sensors and cables must not exceed the input resistance of the single channel of the safety module. With this technique you can realized circuits up on Category 3 according to ISO EN 13849-1.

S1, S2, Sn = Safety magnetic sensors
 CH1= Input channel 1 of the Safety Module
 CH2= Input channel 2 of the Safety Module

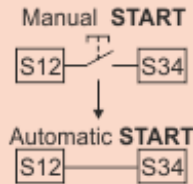
APPLICATIVE CONFIGURATION WITH AECO SAFETY MODULE MS-ER MA R01 ■ SERIES

2 CHANNELS CONFIGURATION WITH MANUAL START

Use models SMS36-P5 2NC ■■ or SMS36-P5 NO+2NC ■■ only

SAFETY PARAMETER
Integrity Level: SIL3
Performance Level: PLe
Category: 4

N.B. To realize a circuit with automatic start to replace the button with a jumper between terminals S12 and S34.



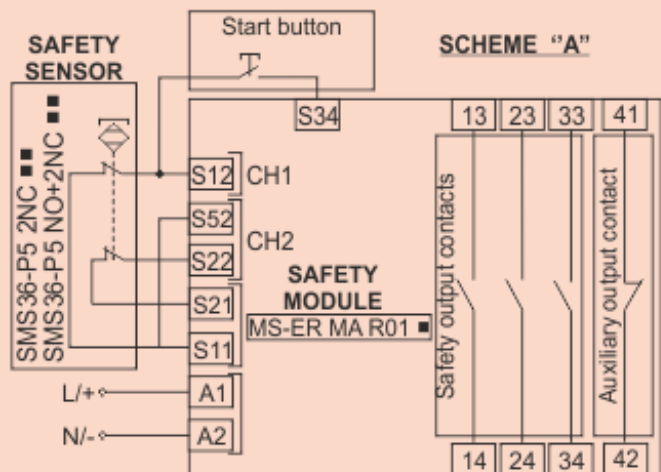
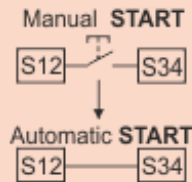
APPLICATIVE CONFIGURATION WITH AECO SAFETY MODULE MS-ER MA R01 ■ SERIES

2 CHANNELS CONFIGURATION WITH MANUAL START

Use models SMS36-P5 2NC ■■ or SMS36-P5 NO+2NC ■■ only

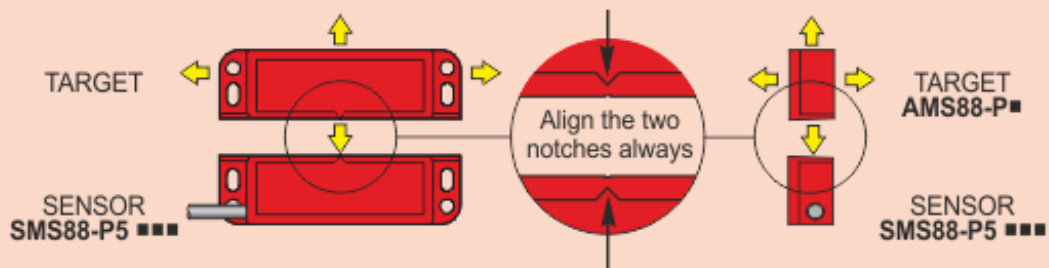
SAFETY PARAMETER
Integrity Level: SIL3
Performance Level: PLe
Category: 4

N.B. To realize a circuit with automatic start to replace the button with a jumper between terminals S12 and S34.



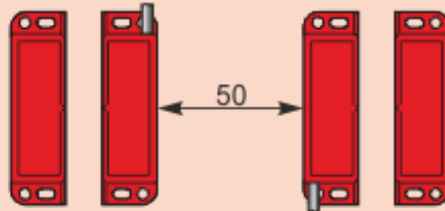
ACTUATING DIRECTIONS

The possible actuating directions are indicated of the arrows.

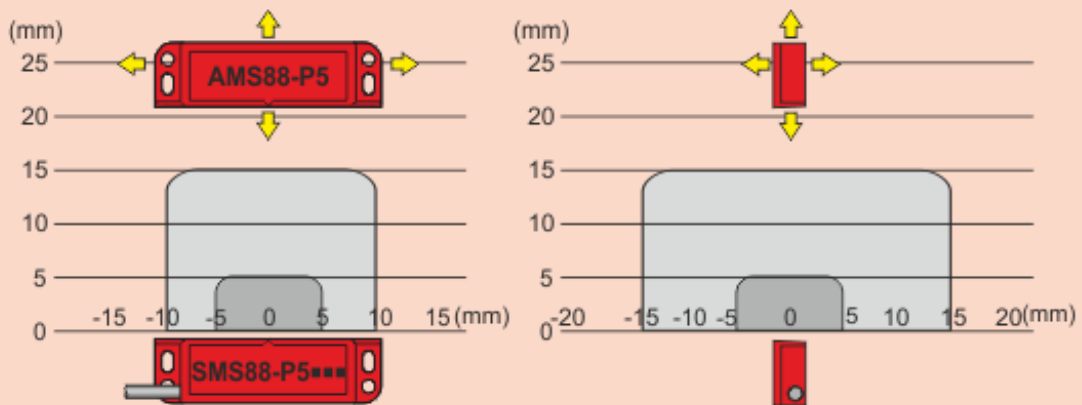


N.B. The minimum distance between *sensor-actuator* systems must be at least 50mm.

MULTIPLE SENSOR-ACTUATOR SYSTEMS ASSEMBLY

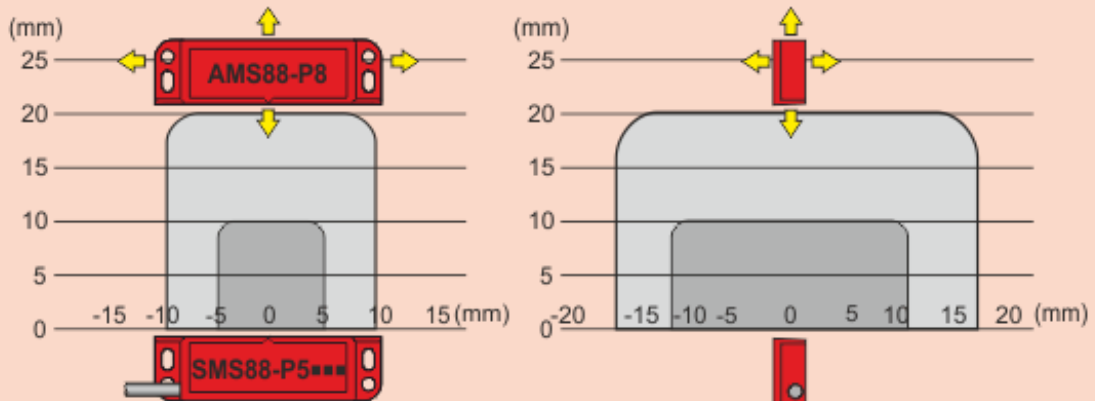


SWITHING DISTANCE



N.B. The drawing of the activation areas is indicative.

SWITHING DISTANCE



N.B. The drawing of the activation areas is indicative.