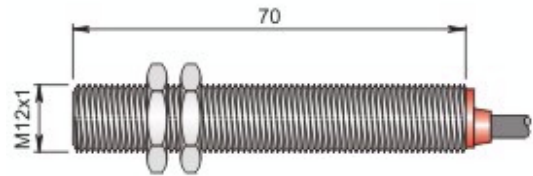
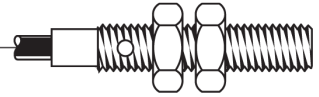
**Part number: SMC000237 - Model: SMC-12L BS**

Dimension in mm

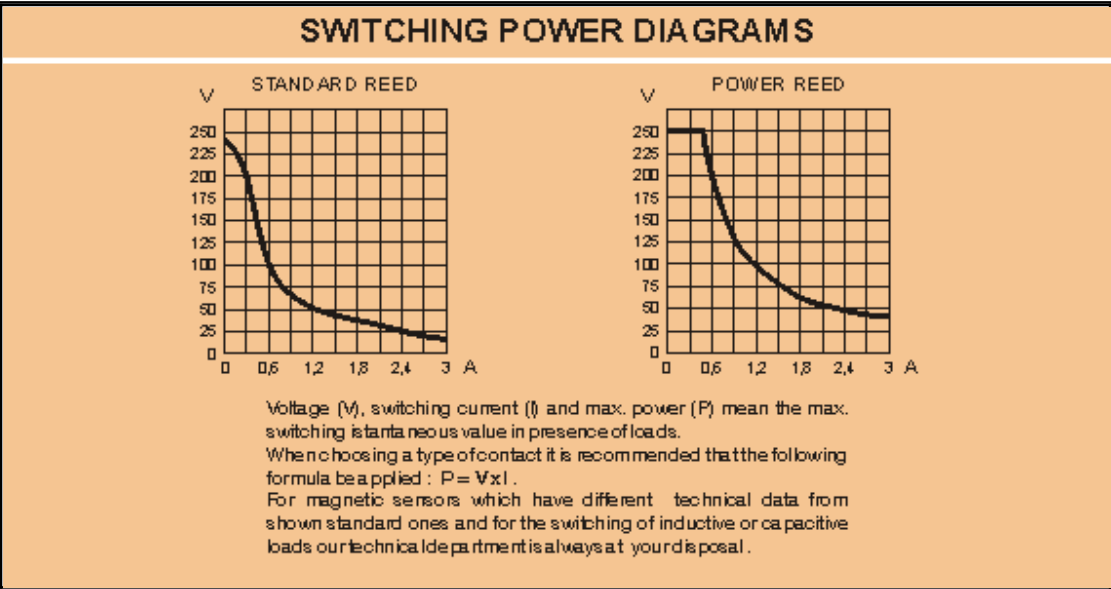
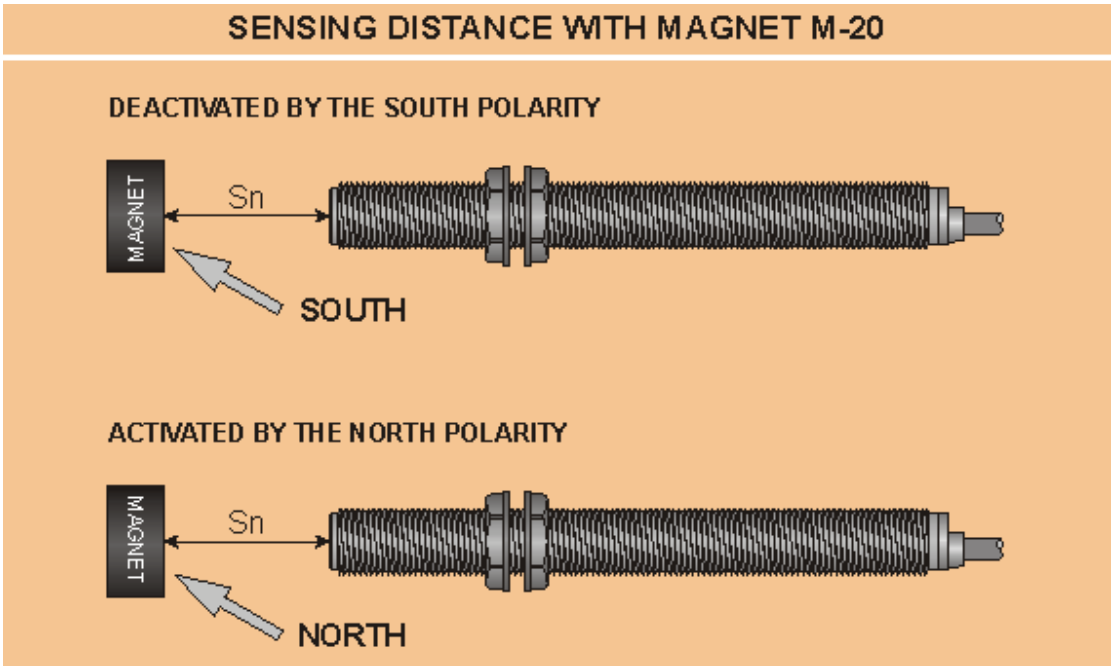
TECHNICAL CHARACTERISTICS

Max. switching voltage:	230 Vac/dc
Max switching current:	3:00 AM
Max. switching power:	60 W/VA
Max. switching frequency:	230 Hz
Contact type:	Bistable reed
Contact actuation time:	2.5 mSec
Repeatability (%Sn):	± 0.3
Temperature limits:	-25 ÷ +80 °C
IP rating:	IP 67
Connection type:	Cable 2 m
Housing material:	Nickelled brass
Mechanical characteristics:	M12x1
Cable type:	2x0.50 PVC
Weight:	130 g



Part number: SMC000237 - Model: SMC-12L BS

INSTRUCTIONS FOR CORRECT INSTALLATION

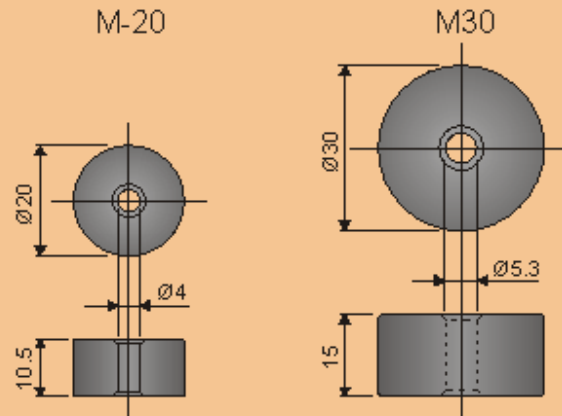


SENSORS AND MAGNETS SENSING DISTANCE

SENSOR	REED	M-20	M-30
SMC-12L BS	BISTABLE	20	40
SMC/P-12L BS	BISTABLE	20	40
SMC-12LM BS	BISTABLE	25	50
SMC/P-12LM BS	BISTABLE	25	50

Data shown on the above table have an approximate value, referred to appliances which are not ferromagnetic and with magnet for frontal working. In case of setting-up on ferrous surfaces which scatter the magnetic flux, it is necessary to interpose spacers made of non-magnetic material.

MAGNET - DIMENSIONS mm



WIRING DIAGRAM

BISTABLE CONTACT

