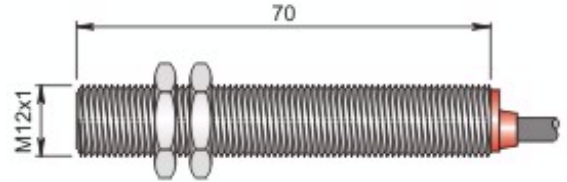




Part number: SMC000240 - Model: SMC-12LM BS



Dimension in mm

TECHNICAL CHARACTERISTICS

| | |
|-----------------------------|-----------------|
| Max. switching voltage: | 250 Vac/dc |
| Max switching current: | 3:00 AM |
| Max. switching power: | 120 W/VA |
| Max. switching frequency: | 100 Hz |
| Contact type: | Bistable reed |
| Contact actuation time: | 3.5 mSec |
| Repeatability (%Sn): | ± 0.5 |
| Temperature limits: | -25 ÷ +80 °C |
| IP rating: | IP 67 |
| Connection type: | Cable 2 m |
| Housing material: | Nickelled brass |
| Mechanical characteristics: | M12x1 |
| Cable type: | 2x0.50 PVC |
| Weight: | 130 g |

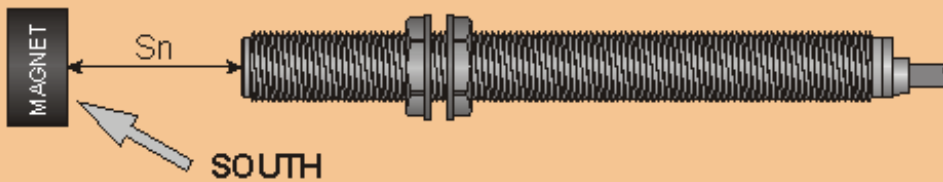


Part number: SMC000240 - Model: SMC-12LM BS

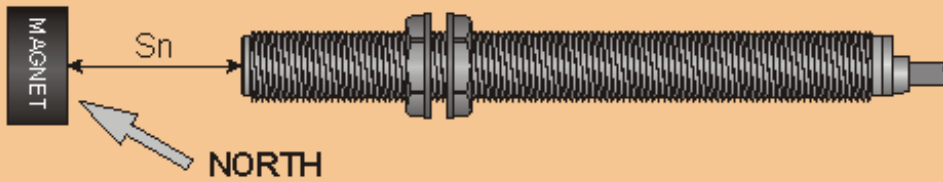
INSTRUCTIONS FOR CORRECT INSTALLATION

SENSING DISTANCE WITH MAGNET M-20

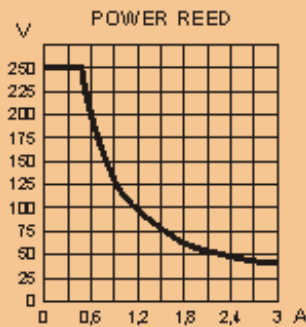
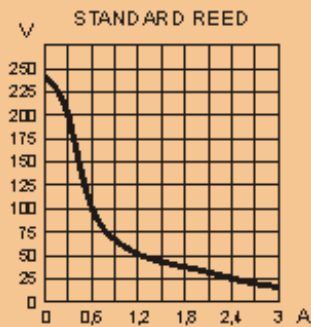
DEACTIVATED BY THE SOUTH POLARITY



ACTIVATED BY THE NORTH POLARITY



SWITCHING POWER DIAGRAMS



Voltage (V), switching current (I) and max. power (P) mean the max. switching instantaneous value in presence of loads.

When choosing a type of contact it is recommended that the following formula be applied: $P = V \times I$.

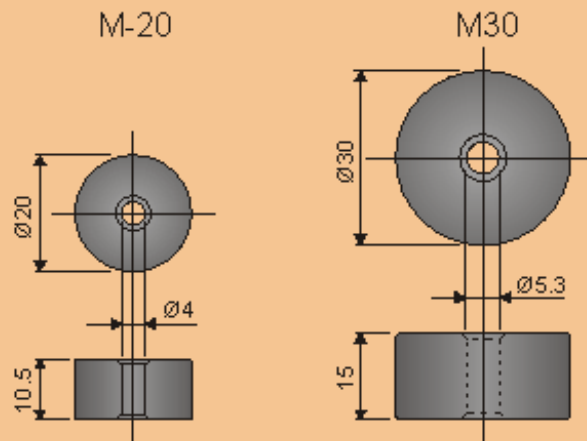
For magnetic sensors which have different technical data from shown standard ones and for the switching of inductive or capacitive loads our technical department is always at your disposal.

SENSORS AND MAGNETS SENSING DISTANCE

| SENSOR | REED | M-20 | M-30 |
|---------------|----------|------|------|
| SMC-12L BS | BISTABLE | 20 | 40 |
| SMC/P-12L BS | BISTABLE | 20 | 40 |
| SMC-12LM BS | BISTABLE | 25 | 50 |
| SMC/P-12LM BS | BISTABLE | 25 | 50 |

Data shown on the above table have an approximate value, referred to applications which are not ferromagnetic and with magnet for frontal working. In case of setting-up on ferrous surfaces which scatter the magnetic flux, it is necessary to interpose spacers made of non-magnetic material.

MAGNET - DIMENSIONS mm



WIRING DIAGRAM

BISTABLE CONTACT

