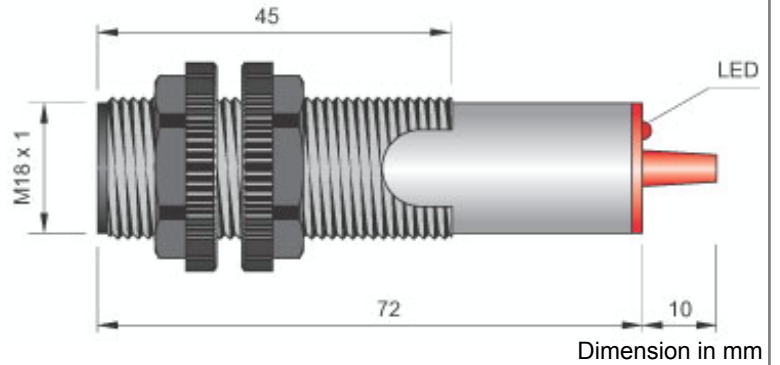




Part number: FT1000015 - Model: FT18-ABE



TECHNICAL CHARACTERISTICS

Power supply:	Alternating current
Working voltage:	20 ÷ 250 Vac
Output type:	AC
Actuation type:	Instantaneous
Light source:	Infrared
Power on delay:	< = 75 mSec
Absorption:	< = 10 mA
Led indicator:	Red = power supply
Temperature limits:	-20 ÷ +50 °C
IP rating:	IP 67
Housing material:	Grey Makrolon
Mechanical characteristics:	M18x1
Connection type:	Cable 2 m
Cable type:	2x0.50 PVC
Weight:	100 g

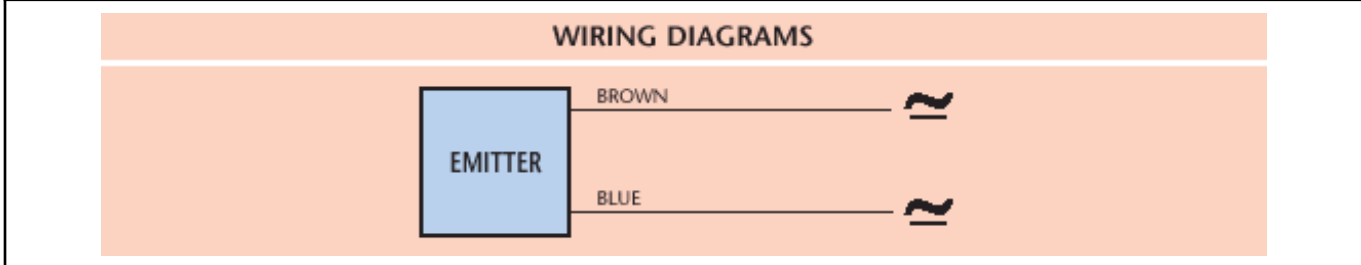


MORE THAN SENSORS



Part number: FT1000015 - Model: FT18-ABE

WIRING DIAGRAM



INSTRUCTIONS FOR CORRECT INSTALLATION

