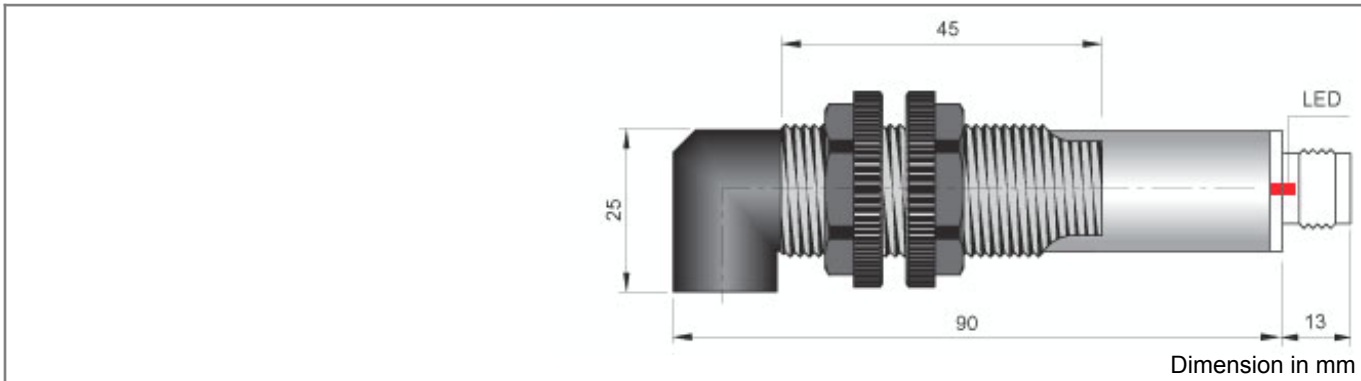




**Part number: FT1000018 - Model: FT18-ABE-90-H**



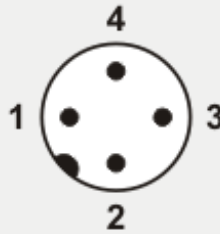
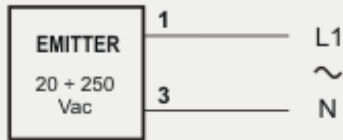
<b>TECHNICAL CHARACTERISTICS</b>	
Power supply:	Alternating current
Working voltage:	20 ÷ 250 Vac
Output type:	AC
Actuation type:	Instantaneous
Light source:	Infrared
Power on delay:	< = 75 mSec
Absorption:	< = 10 mA
Led indicator:	Red = power supply
Temperature limits:	-20 ÷ +50 °C
IP rating:	Depending on connector
Housing material:	Grey Makrolon
Mechanical characteristics:	M18x1
Connection type:	H plug
Weight:	45 g



Part number: FT1000018 - Model: FT18-ABE-90-H

## WIRING DIAGRAM

### CONNECTION WITH H PLUG



VIEW OF MALE CONNECTOR

1 = Brown / L1  
3 = Blue / N

## INSTRUCTIONS FOR CORRECT INSTALLATION

### TYPES

Thru beam emitter + receiver (B type)

