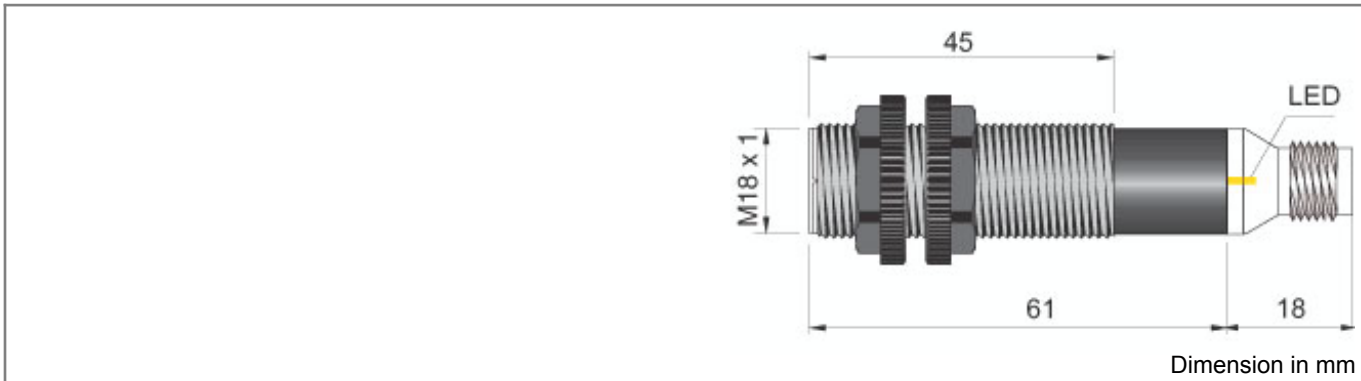




Part number: FT1000284 - Model: FT18EL-CAR NPN NO+NC H



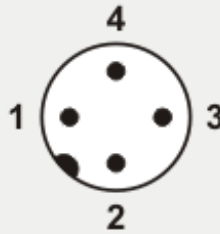
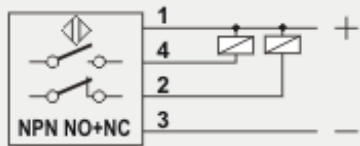
TECHNICAL CHARACTERISTICS	
Power supply:	Direct current
Working voltage:	10 ÷ 30 Vdc
Switching distance (cm):	400
Output type:	DC NPN
Function:	NO+NC
Actuation type:	Instantaneous
Light source:	Red
Power on delay:	< = 50 mSec
Max switching frequency:	200 Hz
Max output current:	200 mA
Absorption:	< = 30 mA @ 24 Vdc
Voltage drop:	< = 1.5 V
Short circuit protection:	Present
Interference from external light:	> 10000 Lux
Led indicator:	Yellow = operation indicator
Temperature limits:	-20 ÷ +50 °C
IP rating:	Depending on connector
Housing material:	Black Makrolon
Mechanical characteristics:	M18x1
Connection type:	H plug
Weight:	30 g



Part number: FT1000284 - Model: FT18EL-CAR NPN NO+NC H

WIRING DIAGRAM

CONNECTION WITH H PLUG



VIEW OF MALE CONNECTOR

- 1 = Brown / +
- 3 = Blue / -
- 4 = Black / output NO
- 2 = White / output NC

INSTRUCTIONS FOR CORRECT INSTALLATION

TYPES

Polarized reflection with reflector (AR type)



CHARACTERISTIC CURVES OF FT18M - FT18 - FT18EL - FTQ TYPES

FT18M-CAR / FT18-AAR / FT18EL-CAR

