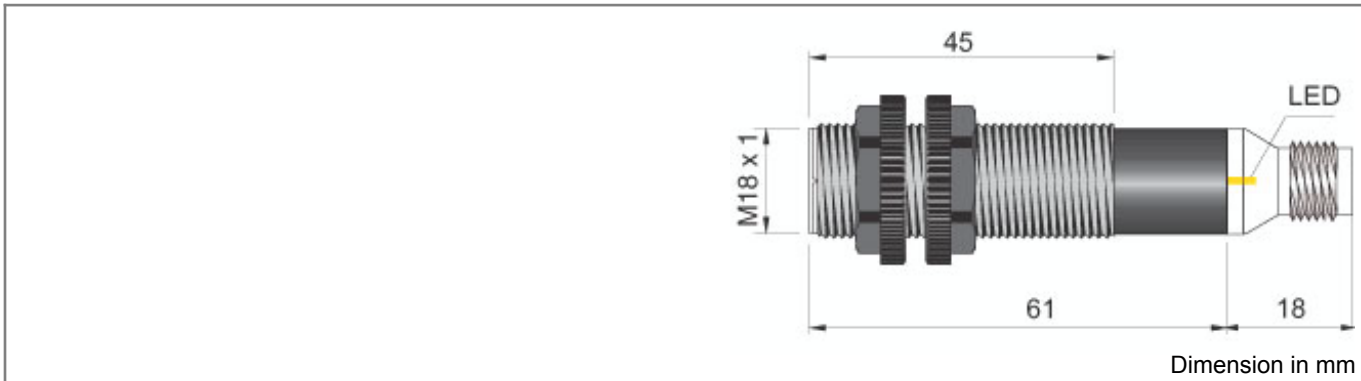




Part number: FT1000291 - Model: FT18EL-CBE H



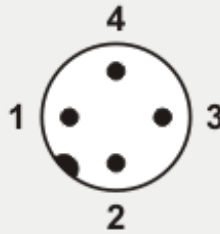
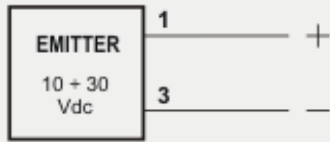
TECHNICAL CHARACTERISTICS	
Power supply:	Direct current
Working voltage:	10 ÷ 30 Vdc
Output type:	DC
Actuation type:	Instantaneous
Light source:	Infrared
Power on delay:	< = 180 mSec
Absorption:	< = 35 mA @ 24 Vdc
Led indicator:	Green = power supply
Temperature limits:	-20 ÷ +50 °C
IP rating:	Depending on connector
Housing material:	Black Makrolon
Mechanical characteristics:	M18x1
Connection type:	H plug
Weight:	30 g



Part number: FT1000291 - Model: FT18EL-CBE H

WIRING DIAGRAM

CONNECTION WITH H PLUG



VIEW OF MALE CONNECTOR

1 = Brown / +
3 = Blue / -

INSTRUCTIONS FOR CORRECT INSTALLATION

TYPES

Thru beam emitter + receiver (B type)

