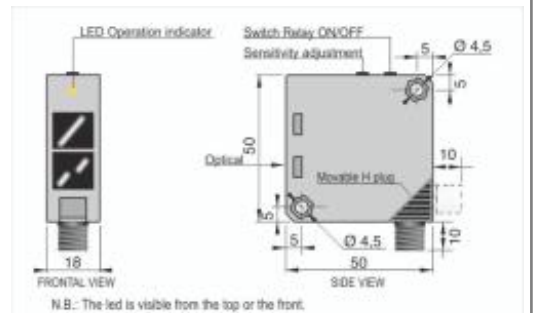




Part number: FTQ000179 - Model: FTQSP-BR-R-H TE1'



Dimension in mm

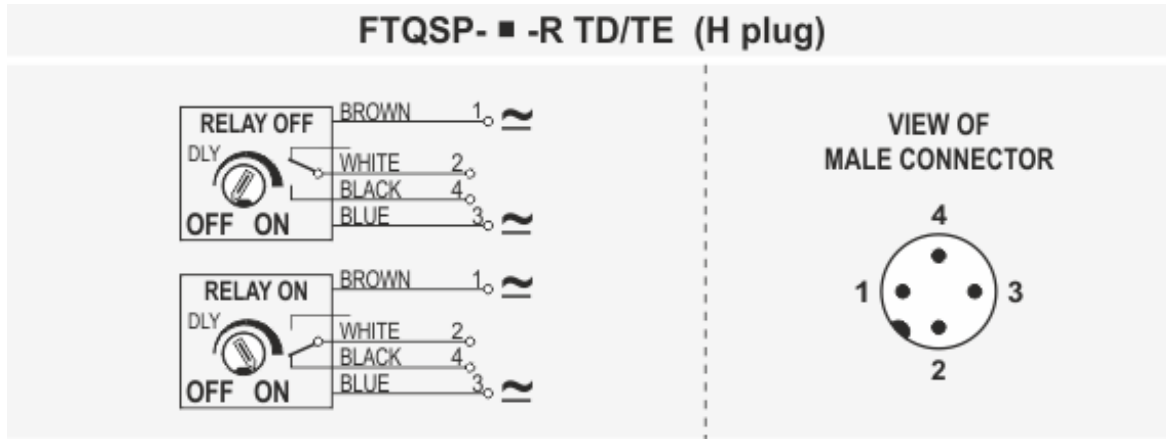
TECHNICAL CHARACTERISTICS

Power supply:	Multivoltage
Working voltage:	12 ÷ 250 Vac/dc
Switching distance (cm):	0 ÷ 2000 (adjustable)
Output type:	AC/DC Relay ON/OFF
Function:	Changeover relay
Actuation type:	Delayed
Delay range (min):	0 ÷ 1
Light source:	Infrared
Power on delay:	< 100 mSec
Max switching frequency:	10 Hz
Max output current:	0.25@240Vac - 1A@30Vdc
Absorption:	< 5mA (AC/DC)
Interference from external light:	> 10000 Lux
Led indicator:	Yellow = operation
Temperature limits:	-20 ÷ +60 °C
IP rating:	Depending on connector
Housing material:	Grey ABS
Mechanical characteristics:	FTQ 50x50x18
Connection type:	H plug
Weight:	50 g

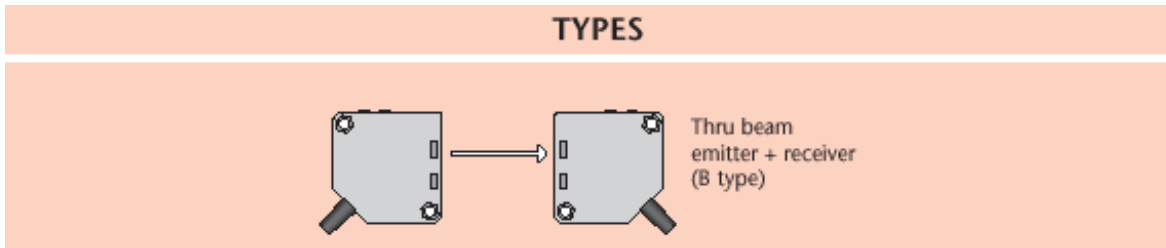


Part number: FTQ000179 - Model: FTQSP-BR-R-H TE1'

WIRING DIAGRAM



INSTRUCTIONS FOR CORRECT INSTALLATION



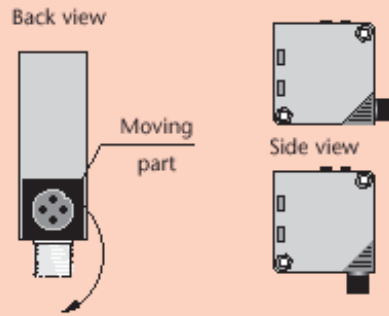
INSTRUCTIONS FOR THE PROGRAMMING AND ADJUSTMENT

FTQ MODELS (RELAY)



- **YELLOW LED - OPERATION INDICATOR** : This led is ON when the object to be detected enters the sensing range of the photocell giving output signals.
- **TRIMMER FOR THE SENSING RANGE ADJUSTMENT** : The photocell is supplied with max. sensing range with the trimmer totally rotated in the clockwise direction. The sensitivity reduces by rotating the trimmer in the anti-clockwise direction.
- **RELAY ON/OFF SWITCH / DELAY SETTING** :
 The device is delivered in OFF mode.
 When the device is powered and the beam is not triggered by any object :
 - when the switch is in OFF position, the relay is not powered
 - when the switch is in ON position, the relay is powered
Setting ON mode : Power on the device and put the switch in OFF mode, if it is not already in this position. Power off the device. Put the switch in ON mode. Power on the device again and check the ON output mode.
Setting OFF mode : Power on the device and put the switch in ON mode, if it is not already in this position. Power off the device. Put the switch in OFF mode. Power on the device again and check the OFF output mode.
DELAY SETTING :
 Delay setting must be performed after output mode setting RELAY OFF or RELAY ON and only when the sensor is powered ON.
 The delay increases from 0 to 1 minute when rotating the trimmer P2 in a clockwise direction.
 When the delay is enabled, the LED blinks at a rate proportional to time delay setting :
 - Low blinking rate = High delay
 - High blinking rate = Low delay

H PLUG - M12 CONNECTOR



Turn in the clockwise to choose the direction of the connector exit.

CHARACTERISTIC CURVES OF FT18M - FT18 - FT18EL - FTQ TYPES

FTQ-CBE + FTQ-CBR
FTQ-BE-R + FTQ-BR-R

