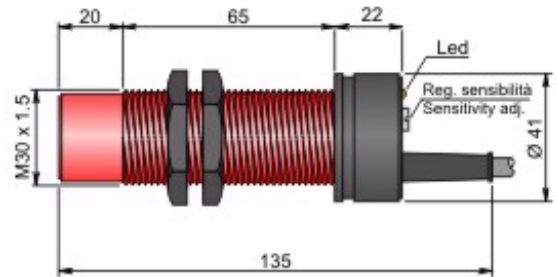




Part number: C3000010 - Model: SC30P-RE25 T10' LC10



Dimension in mm

TECHNICAL CHARACTERISTICS

Working voltage:	12 ÷ 240 Vac/dc
Output type:	AC/DC
Function:	Changeover relay
Actuation type:	Delayed
Delay range (min):	0 ÷ 10
Sensing distance (mm):	0 ÷ 25 (adjustable)
Hysteresis (%Sn):	Depends on the switching distance
Max. switching frequency:	Depends on delay
Repeatability (%Sn):	< 1
Max. output current:	1 A @ 220 Vac
Absorption:	< 20 mA @ relay activated
Led indicator:	Present
Shielding:	Not embeddable
Mechanical characteristics:	M30x1.5
Housing material:	Plastic
Connection type:	Cable 10 m
Cable type:	5x0.35 PVC
Temperature limits:	-20 ÷ +70 °C
IP rating:	IP 65
Weight:	700 g

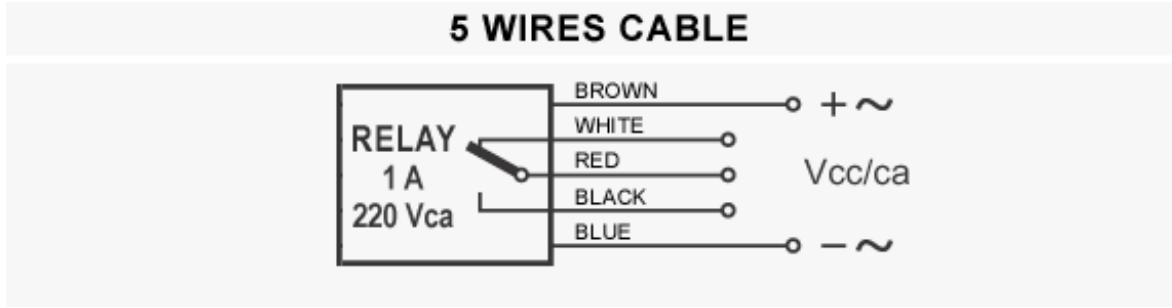


MORE THAN SENSORS

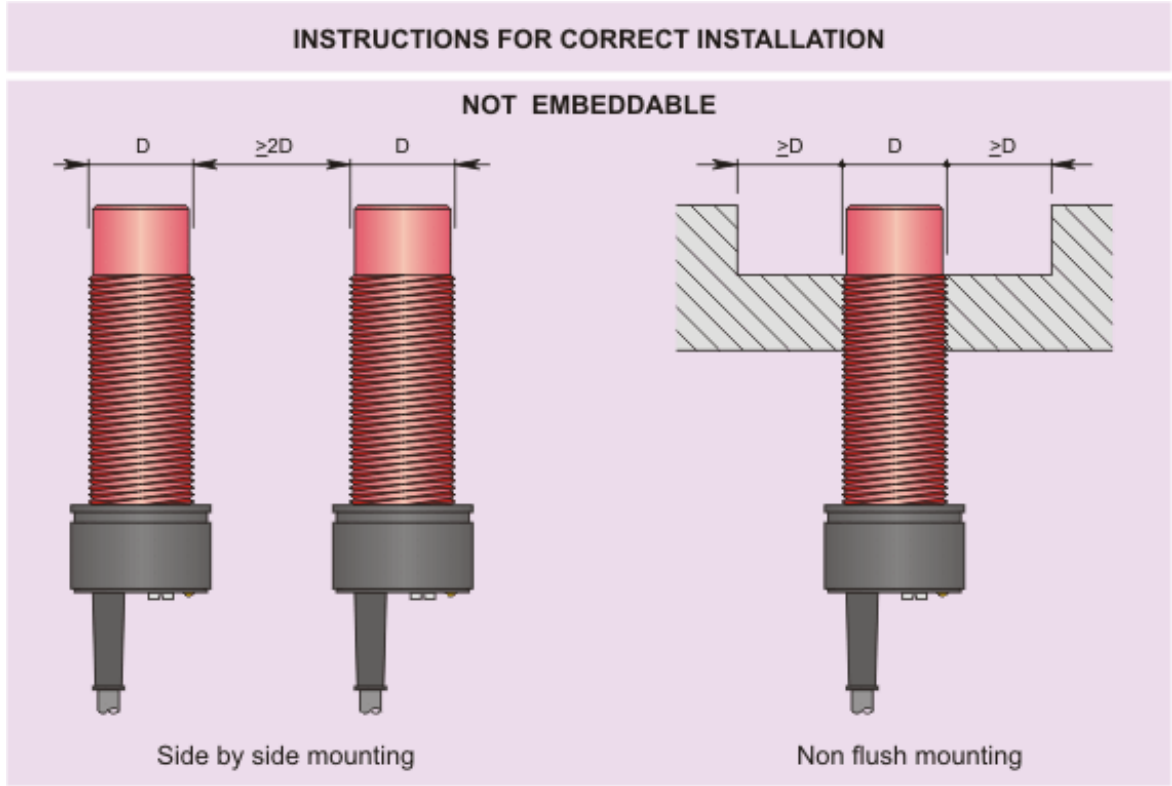


Part number: C30000010 - Model: SC30P-RE25 T10' LC10

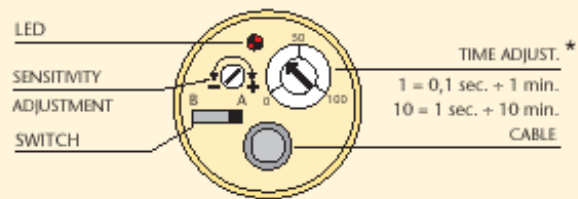
WIRING DIAGRAM



INSTRUCTIONS FOR CORRECT INSTALLATION



BACK VIEW



* The 100 on the time regulation trimmer scale corresponds to the full scale of the time range of the sensor.

PROGRAMMABLE FUNCTION TABLE

FUNCTION	SWITCH POS.	RELAY OUTPUT WIRES COLOUR
TE NO	B	Red / Black
TE NC	A	Red / Black
TD NO	A	Red / White
TD NC	B	Red / White