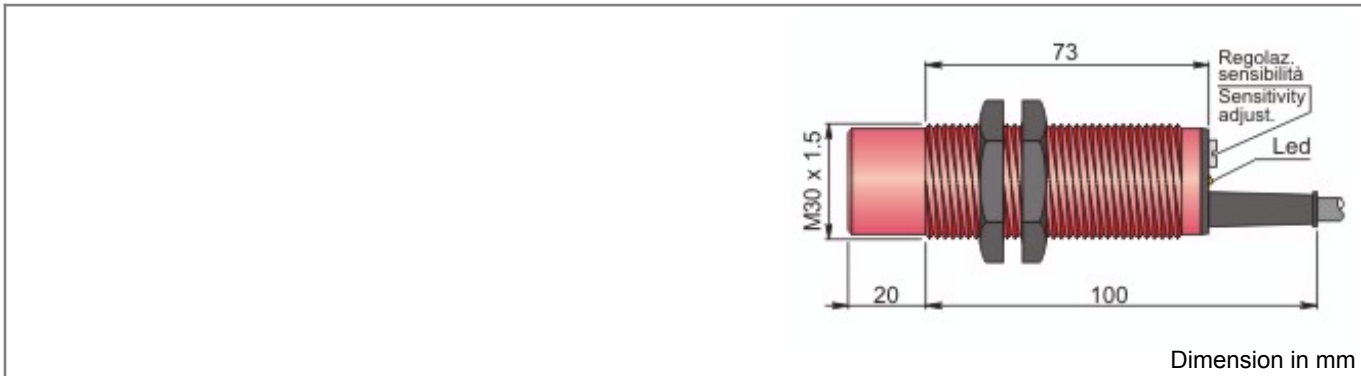




**Part number: C3000013 - Model: SC30P-RE25 LC5**



<b>TECHNICAL CHARACTERISTICS</b>	
Working voltage:	12 ÷ 240 Vac/dc
Output type:	AC/DC
Function:	Relay
Actuation type:	Instantaneous
Sensing distance (mm):	0 ÷ 25 (adjustable)
Hysteresis (%Sn):	Depends on the switching distance
Max. switching frequency:	10 Hz
Repeatability (%Sn):	< 1
Max. output current:	1 A @ 220 Vac
Absorption:	< 20 mA @ relay activated
Led indicator:	Present
Shielding:	Not embeddable
Mechanical characteristics:	M30x1.5
Housing material:	Plastic
Connection type:	Cable 5 m
Cable type:	5x0.35 PVC
Temperature limits:	-20 ÷ +70 °C
IP rating:	IP 67
Weight:	380 g



Part number: C3000013 - Model: SC30P-RE25 LC5

## WIRING DIAGRAM

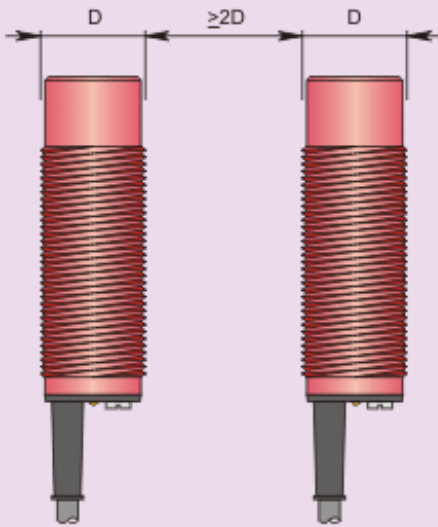
### 5 WIRES CABLE



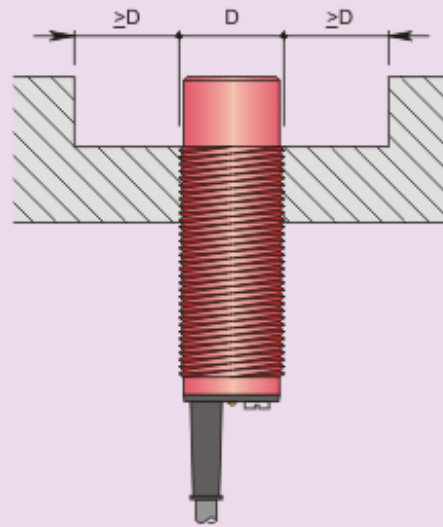
## INSTRUCTIONS FOR CORRECT INSTALLATION

### INSTRUCTIONS FOR CORRECT INSTALLATION

#### NOT EMBEDDABLE



Side by side mounting



Non flush mounting