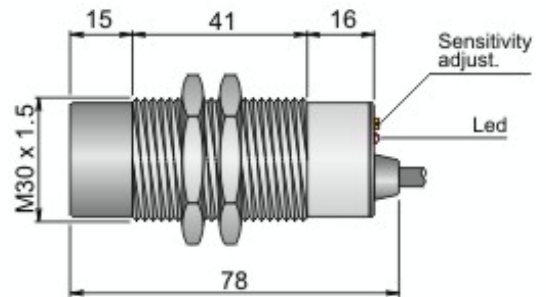




Part number: C3000062 - Model: SC30SM-CE25 NPN NO+NC LC5



Dimension in mm

TECHNICAL CHARACTERISTICS

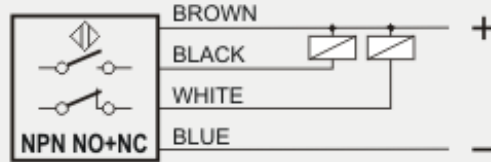
| | |
|-----------------------------|-----------------------------------|
| Working voltage: | 10 ÷ 55 Vdc |
| Output type: | DC NPN |
| Function: | NO+NC |
| Actuation type: | Instantaneous |
| Sensing distance (mm): | 0 ÷ 25 (adjustable) |
| Hysteresis (%Sn): | Depends on the switching distance |
| Max. switching frequency: | 10 Hz |
| Repeatability (%Sn): | < 1 |
| Max. output current: | 300 mA |
| Absorption: | < = 10 mA @ 24Vdc |
| Voltage drop: | < 1.8 V |
| Short circuit protection: | Present |
| Led indicator: | Present |
| Shielding: | Not embeddable |
| Mechanical characteristics: | M30x1.5 |
| Housing material: | Nickelled brass |
| Connection type: | Cable 5 m |
| Cable type: | 4x0.25 PVC |
| Temperature limits: | -20 ÷ +70 °C |
| IP rating: | IP 67 |
| Weight: | 360 g |



Part number: C3000062 - Model: SC30SM-CE25 NPN NO+NC LC5

WIRING DIAGRAM

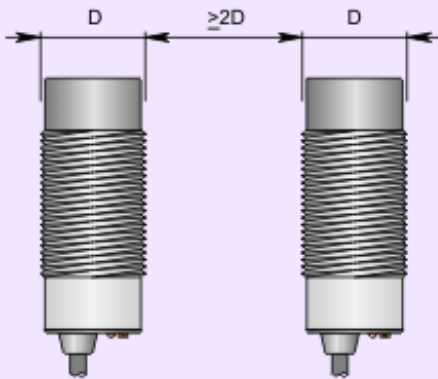
4 WIRES CABLE - LOGIC NPN NO+NC



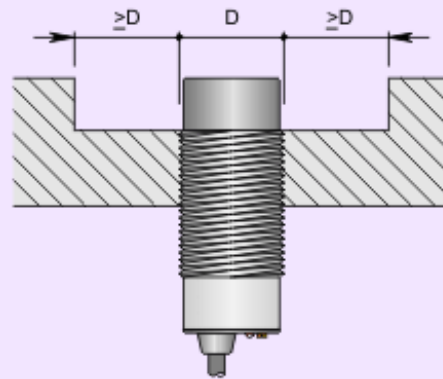
INSTRUCTIONS FOR CORRECT INSTALLATION

INSTRUCTIONS FOR CORRECT INSTALLATION

NOT EMBEDDABLE



Side by side mounting



Non flush mounting