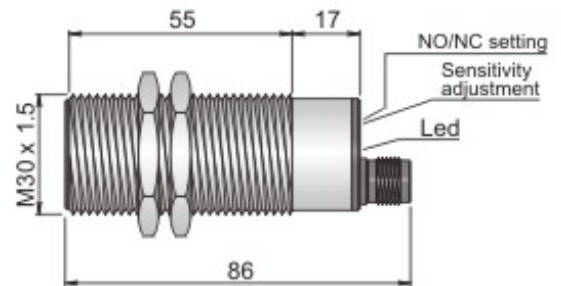




Part number: C3000144 - Model: SC30SM-A20 NO/NC H



Dimension in mm

TECHNICAL CHARACTERISTICS

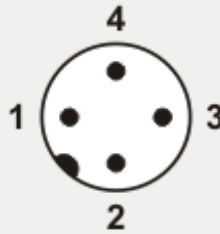
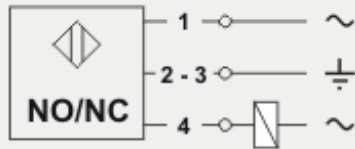
Working voltage:	20 ÷ 250 Vac
Output type:	AC
Function:	NO/NC programmable
Actuation type:	Instantaneous
Sensing distance (mm):	0 ÷ 20 (adjustable)
Hysteresis (%Sn):	< = 20
Max. switching frequency:	10 Hz
Repeatability (%Sn):	< 10
Max. output current:	500 mA
Min. output current:	10 mA (minimum current for release)
Max peak current for 20msec:	1.5 A
Residual current:	< = 1 mA
Voltage drop:	< 6 V
Led indicator:	Yellow
Shielding:	Embeddable
Mechanical characteristics:	M30x1.5
Housing material:	Nickelled brass
Connection type:	H plug
Temperature limits:	-20 ÷ +70 °C
IP rating:	IP 67
Weight:	260 g



Part number: C30000144 - Model: SC30SM-A20 NO/NC H

WIRING DIAGRAM

CONNECTION WITH H PLUG



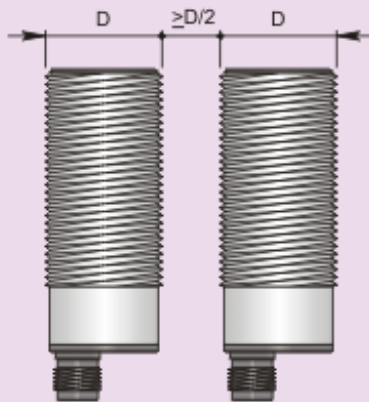
VIEW OF MALE CONNECTOR

- 1 = ~
- 2 - 3 = \perp
- 4 = ~

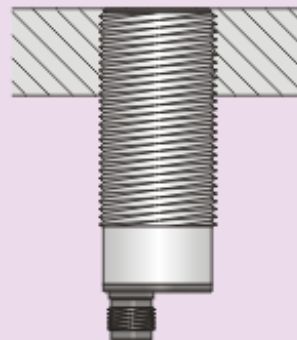
INSTRUCTIONS FOR CORRECT INSTALLATION

INSTRUCTIONS FOR CORRECT INSTALLATION

EMBEDDABLE



Side by side mounting



Flush mounting

REAR VIEW

Sensitivity adjustment

NO/NC setting

Output led

Cable / H plug

