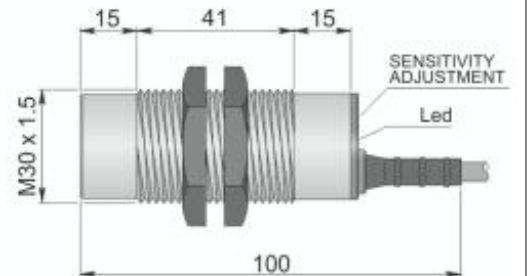


Part number: YC3000015 - Model: SC30SP-CE25 PNP NO+NC AD3 LC10



Dimension in mm

TECHNICAL CHARACTERISTICS

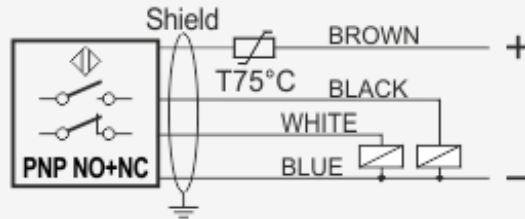
| | |
|---|---|
| Working voltage: | 10 ÷ 55 Vdc |
| Output type: | DC PNP |
| Function: | NO+NC |
| Actuation type: | Instantaneous |
| Sensing distance (mm): | 0 ÷ 25 (adjustable) |
| Hysteresis (%): | Depends on the switching distance |
| Max. switching frequency: | 10 Hz |
| Repeatability (%Sn): | < 1 |
| Max. output current: | 300 mA |
| Absorption: | < = 10 mA @ 24Vdc |
| Voltage drop: | < 1.8 V |
| Short circuit protection: | Present |
| Led indicator: | Present |
| Shielded: | Not embeddable |
| Mechanical characteristics: | M30x1.5 |
| IP rating: | IP 67 |
| Housing material: | Polycarbonate |
| Connection type: | Cable 10 m |
| Cable type: | 4x0.25 PVC shielded |
| Weight: | 400 g |
| Operating temperature range: | -25 ÷ +60 °C |
| Storage temperature range: | -25 ÷ +70 °C |
| Max. surface temperature: | +85 °C |
| Limiting device of surface temperature: | Intervention at 75 ° C non-resettable |
| Explosive atmosphere type: | Air/Dust mixture |
| Equipment category: | 3D |
| Installation area: | Zone 22 |
| Protection method: | Protection by enclosure |
| Marking: | II 3D Ex tc IIIC T85°C Dc X-25< Ta |
| Conforming standard: | EN60079-0, EN60079-31, EN61000-6-2, EN61000-6-4 and EN60947-5-2 |



Part number: YC3000015 - Model: SC30SP-CE25 PNP NO+NC AD3 LC10

WIRING DIAGRAM

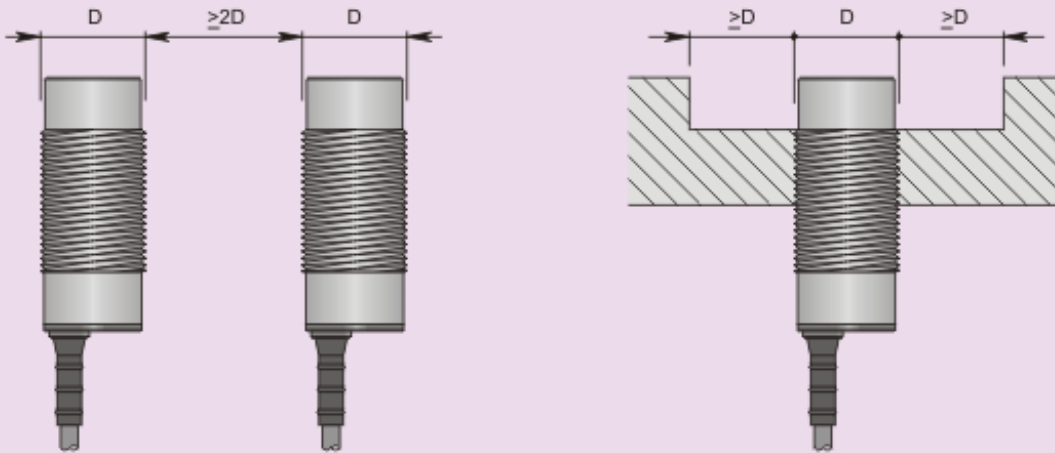
4 WIRES CABLE - LOGIC PNP NO+NC



INSTRUCTIONS FOR CORRECT INSTALLATION

INSTRUCTIONS FOR CORRECT INSTALLATION

NOT EMBEDDABLE



Side by side mounting

Non flush mounting

REAR VIEW

