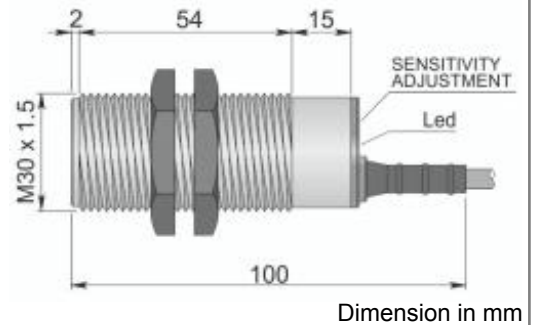




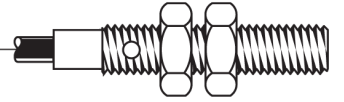
**Part number: YC3000028 - Model: SC30SP-A20 NO AD3**



**TECHNICAL CHARACTERISTICS**

Working voltage:	20 ÷ 250 Vac
Output type:	AC
Function:	NO
Actuation type:	Instantaneous
Sensing distance (mm):	0 ÷ 20 (adjustable)
Hysteresis (%):	< = 20
Max. switching frequency:	10 Hz
Repeatability (%Sn):	< 10
Max. output current:	500 mA
Min. output current:	10 mA (minimum current for relèase)
Max. peak current for 20msec:	1.5 A
Residual current:	< = 1 mA
Voltage drop:	< 6 V
Led indicator:	Yellow
Shielded:	Embeddable
Mechanical characteristics:	M30x1.5
IP rating:	IP 67
Housing material:	Polycarbonate
Connection type:	Cable 3 m
Cable type:	3x0.35 PVC shielded
Weight:	300 g
Operating temperature range:	-25 ÷ +70 °C
Storage temperature range:	-25 ÷ +70 °C
Max. surface temperature:	+85 °C
Limiting device of surface temperature:	Intervention at 75 ° C non-resettable
Explosive atmosphere type:	Air/Dust mixture
Equipment category:	3D
Installation area:	Zone 22
Protection method:	Protection by enclosure
Marking:	II 3D Ex tc IIIC T85°C Dc X-25< Ta
Conforming standard:	EN60079-0, EN60079-31, EN61000-6-2, EN61000-6-4 and EN60947-5-2

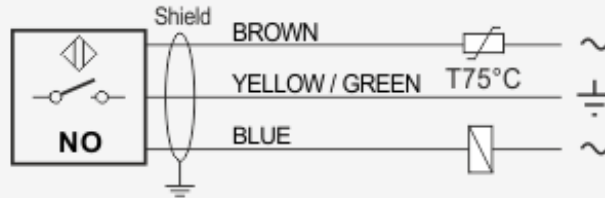




Part number: YC3000028 - Model: SC30SP-A20 NO AD3

## WIRING DIAGRAM

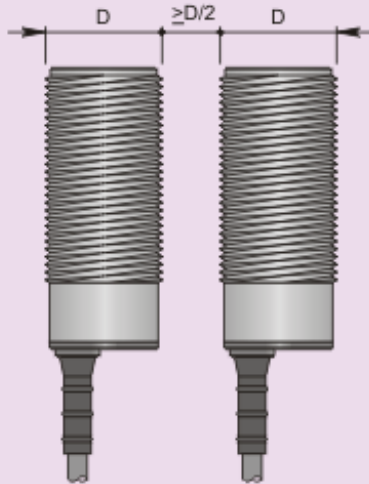
### 2 WIRES + GROUND CABLE



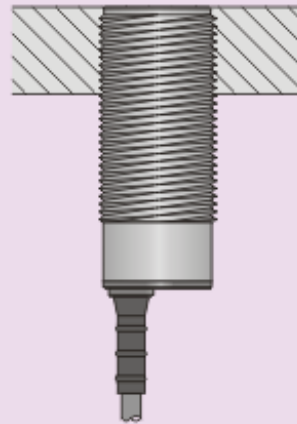
## INSTRUCTIONS FOR CORRECT INSTALLATION

### INSTRUCTIONS FOR CORRECT INSTALLATION

#### EMBEDDABLE



Side by side mounting



Flush mounting

## REAR VIEW

Sensitivity adjustment

Led

Cable / H plug

