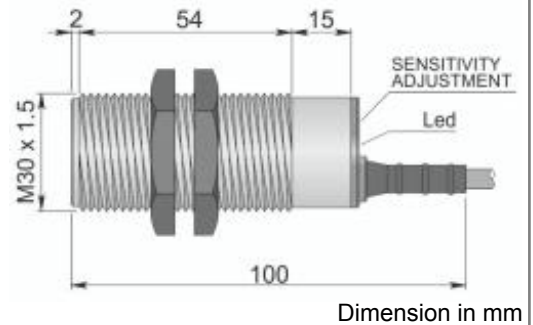




**Part number: YC3000030 - Model: SC30SP-C20 NPN NO+NC AD3**



**TECHNICAL CHARACTERISTICS**

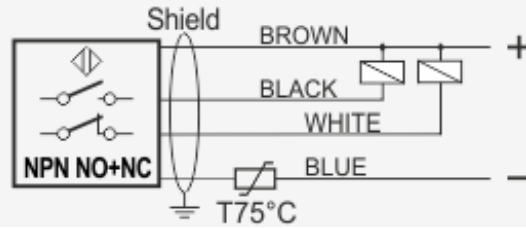
Working voltage:	10 ÷ 55 Vdc
Output type:	DC NPN
Function:	NO+NC
Actuation type:	Instantaneous
Sensing distance (mm):	0 ÷ 20 (adjustable)
Hysteresis (%):	Depends on the switching distance
Max. switching frequency:	10 Hz
Repeatability (%Sn):	< 1
Max. output current:	300 mA
Absorption:	< = 10 mA @ 24Vdc
Voltage drop:	< 1.8 V
Short circuit protection:	Present
Led indicator:	Present
Shielded:	Embeddable
Mechanical characteristics:	M30x1.5
IP rating:	IP 67
Housing material:	Polycarbonate
Connection type:	Cable 3 m
Cable type:	4x0.25 PVC shielded
Weight:	260 g
Operating temperature range:	-25 ÷ +60 °C
Storage temperature range:	-25 ÷ +70 °C
Max. surface temperature:	+85 °C
Limiting device of surface temperature:	Intervention at 75 ° C non-resettable
Explosive atmosphere type:	Air/Dust mixture
Equipment category:	3D
Installation area:	Zone 22
Protection method:	Protection by enclosure
Marking:	II 3D Ex tc IIIC T85°C Dc X-25< Ta
Conforming standard:	EN60079-0, EN60079-31, EN61000-6-2, EN61000-6-4 and EN60947-5-2



Part number: YC3000030 - Model: SC30SP-C20 NPN NO+NC AD3

**WIRING DIAGRAM**

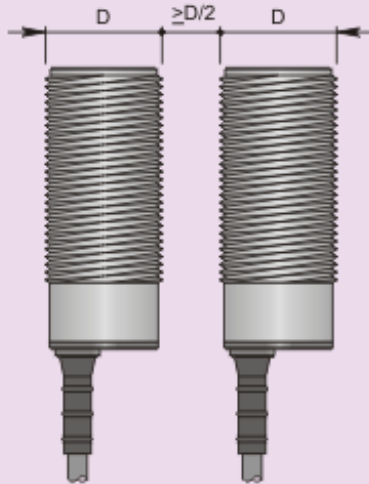
**4 WIRES CABLE - LOGIC NPN NO+NC**



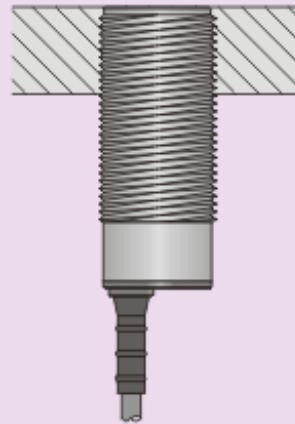
**INSTRUCTIONS FOR CORRECT INSTALLATION**

**INSTRUCTIONS FOR CORRECT INSTALLATION**

**EMBEDDABLE**



Side by side mounting



Flush mounting

## REAR VIEW

Sensitivity adjustment

Led

Cable / H plug

