

# Incremental encoders

<b>Standard</b> sine wave output, with reference signal, optical	<b>5804 / 5824 (shaft / hollow shaft)</b>	<b>SinCos</b>
---	---	---------------



The incremental encoders type 5804 / 5824 offer a SinCos interface.

They are ideal for use in drive engineering.

These encoders are used preferably in applications for which a standard SinCos interface is sufficient.

High rotational speed	Temperature range	High protection level	High shaft load capacity	Shock / vibration resistant	Magnetic field proof	Short-circuit proof	Optical sensor

### High performance

- High resolution up to 5000 pulses per revolution.
- Maximum speed up to 12000 revolutions per minute.
- High IP protection up to max. IP66.

### Adaptable

- Shaft or hollow shaft version.
- With cable or connector.

<b>Order code</b>	<b>8.5804</b>	<b>. XXXXX . XXXX</b>					
<b>Shaft version</b>	Type	<table border="1" style="font-size: small;"> <tr> <td style="text-align: center;">a</td> <td style="text-align: center;">b</td> <td style="text-align: center;">c</td> <td style="text-align: center;">d</td> <td style="text-align: center;">e</td> </tr> </table>	a	b	c	d	e
a	b	c	d	e			

- a Flange**  
 1 = clamping flange ø 58 mm [2.28"]  
 2 = synchro flange ø 58 mm [2.28"]

- b Shaft (ø x L), with flat**  
 1 = ø 6 x 10 mm [0.24 x 0.39"]  
 2 = ø 10 x 20 mm [0.39 x 0.79"]

- c Output circuit / supply voltage**  
 1 = SinCos, 1 Vpp (with inverted signal) / 5 V DC  
 2 = SinCos, 1 Vpp (with inverted signal) / 10 ... 30 V DC

- d Type of connection**  
 1 = axial cable, 1 m [3.28'] TPE  
 A = axial cable, special length TPE \*)  
 2 = radial cable, 1 m [3.28'] TPE  
 B = radial cable, special length TPE \*)  
 3 = axial M23 connector, 12-pin, without mating connector  
 5 = radial M23 connector, 12-pin, without mating connector

- e Pulse rate**  
 512, 1000, 1024, 1200, 1250,  
 1500, 2000, 2048, 2500, 3000,  
 3600, 4000, 4096, 5000  
 (e.g. 512 pulses => 0512)

*Optional on request*  
 - other pulse rates

\*) Available special lengths (connection types A, B):  
 2, 3, 5, 8, 10, 15 m [5.56, 9.84, 16.40, 26.25, 32.80, 49.21']  
 order code expansion .XXXX = length in dm  
 ex.: 8.5804.111A.0512.0030 (for cable length 3 m)

# Incremental encoders

<b>Standard sine wave output, with reference signal, optical</b>	<b>5804 / 5824 (shaft / hollow shaft)</b>	<b>SinCos</b>
--	---	---------------

<b>Order code</b>	<b>8.5824</b>	<b>.XXXX</b>	<b>.XXXX</b>
<b>Hollow shaft</b>	Type	a b c d	e

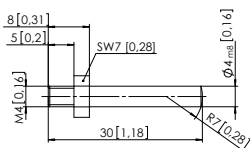
<p><b>a Flange</b></p> <p>1 = with hollow shaft and spring element, short          2 = with blind hollow shaft and spring element, short          3 = with hollow shaft and stator coupling, <math>\varnothing</math> 65 mm [2.56"]          4 = with blind hollow shaft and stator coupling, <math>\varnothing</math> 65 mm [2.56"]</p> <p><b>b Hollow shaft</b>  <i>(insertion depth blind hollow shaft with flange 2 and 4 max. 30 mm [1.18"])</i></p> <p>1 = <math>\varnothing</math> 6 mm [0.24"], IP40          2 = <math>\varnothing</math> 6 mm [0.24"], IP66          3 = <math>\varnothing</math> 8 mm [0.32"], IP40          4 = <math>\varnothing</math> 8 mm [0.32"], IP66          5 = <math>\varnothing</math> 10 mm [0.39"], IP40          6 = <math>\varnothing</math> 10 mm [0.39"], IP66          7 = <math>\varnothing</math> 12 mm [0.47"], IP40          8 = <math>\varnothing</math> 12 mm [0.47"], IP66</p>	<p><b>c Output circuit / supply voltage</b></p> <p>1 = SinCos, 1 Vpp (with inverted signal) / 5 V DC          2 = SinCos, 1 Vpp (with inverted signal) / 10 ... 30 V DC</p> <p><b>d Type of connection</b></p> <p>1 = radial cable, 1 m [3.28'] TPE          A = radial cable, special length TPE *)          2 = radial M23 connector, 12-pin, without mating connector</p> <p>*) Available special lengths (connection types A):          2, 3, 5, 8, 10, 15 m [5.56, 9.84, 16.40, 26.25, 32.80, 49.21']          order code expansion .XXXX = length in dm          ex.: 8.5824.111A.0512.0030 (for cable length 3 m)</p>	<p><b>e Pulse rate</b></p> <p>512, 1000, 1024, 1200, 1250, 1500, 2000, 2048, 2500, 3000, 3600, 4000, 4096, 5000 (e.g. 512 pulses =&gt; 0512)</p> <p><i>Optional on request</i>          - other pulse rates</p>
---	--	---

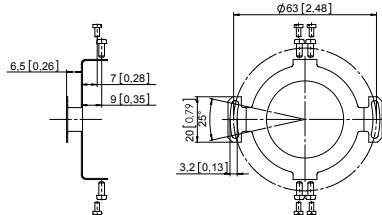
Mounting accessory for shaft encoders	Order no.
---------------------------------------	-----------

<b>Coupling</b>	bellows coupling $\varnothing$ 19 mm [0.75"] for shaft 6 mm [0.24"] bellows coupling $\varnothing$ 19 mm [0.75"] for shaft 10 mm [0.39"]	<b>8.0000.1102.0606</b> <b>8.0000.1102.1010</b>
-----------------	---	--

Mounting accessory for hollow shaft encoders	Dimensions in mm [inch]	Order no.
--	-------------------------	-----------

<b>Cylindrical pin, long</b> for flange with spring element (flange type 1 + 2)	with fixing thread	<b>8.0010.4700.0000</b>
---	--------------------	-------------------------



<b>Stator coupling, <math>\varnothing</math> 63 mm [2.48"]</b>		<b>8.0010.4D00.0000</b>
--	--	-------------------------

Connection technology	Order no.
-----------------------	-----------

<b>Cordset, pre-assembled</b>	M23 female connector with coupling nut, 12-pin 2 m [6.56'] PVC cable	<b>8.0000.6E01.0002</b>
<b>Connector, self-assembly (straight)</b>	M23 female connector with coupling nut, 12-pin	<b>8.0000.5012.0000</b>

Further accessories can be found in the accessories section or in the accessories area of our website at: [kuebler.com/accessories](http://kuebler.com/accessories).  
 Additional connectors can be found in the connection technology section or in the connection technology area of our website at: [kuebler.com/connection\\_technology](http://kuebler.com/connection_technology).

# Incremental encoders

<b>Standard</b> sine wave output, with reference signal, optical	<b>5804 / 5824 (shaft / hollow shaft)</b>	<b>SinCos</b>
---	---	---------------

## Technical data

Mechanical characteristics		
<b>Maximum Speed</b>	shaft IP65	12000 min <sup>-1</sup>
	hollow shaft IP40	12000 min <sup>-1</sup>
	hollow shaft IP66 <sup>1)</sup>	6000 min <sup>-1</sup>
<b>Mass moment of inertia</b>	shaft	approx. 1.8 x 10 <sup>-6</sup> kgm <sup>2</sup>
	hollow shaft	approx. 6.0 x 10 <sup>-6</sup> kgm <sup>2</sup>
<b>Starting torque</b> – at 20 °C [68 °F]	shaft IP65 / hollow shaft IP40	< 0.01 Nm
	hollow shaft IP66	< 0.05 Nm
<b>Load capacity of shaft</b>	radial	80 N
	axial	40 N
<b>Weight</b>		approx. 0.4 kg [14.11 oz]
<b>Protection</b> acc. to EN 60529	shaft	IP65
	hollow shaft without seal	IP40
	hollow shaft with seal	IP66
<b>Working temperature range</b>	shaft IP65 / hollow shaft IP40	-20 °C ... +85 °C [-4 °F ... +185 °F] <sup>2)</sup>
	hollow shaft IP66	-20 °C ... +80 °C [-4 °F ... +176 °F] <sup>2)</sup>
<b>Material</b>	shaft	stainless steel H7
<b>Shock resistance</b> acc. EN 60068-2-27		1000 m/s <sup>2</sup> , 6 ms
<b>Vibration resistance</b> acc. to EN 60068-2-6		100 m/s <sup>2</sup> , 10 ... 2000 Hz

Electrical characteristics		
<b>Output circuit</b>	<b>SinCos, U = 1 Vpp</b>	<b>SinCos, U = 1 Vpp</b>
<b>Supply voltage</b>	5 V DC (±5 %)	10 ... 30 V DC
<b>Power consumption with inverted signal</b> (no load)	typ. 65 mA	typ. 65 mA
	max. 110 mA	max. 110 mA
<b>-3 dB frequency</b>	≤ 180 kHz	≤ 180 kHz
<b>Signal level</b>	channels A/B	1 Vpp (±20 %)
	channel 0	0.1 ... 1.2 V
		1 Vpp (±20 %)
<b>Short circuit proof outputs</b> <sup>3)</sup>	yes	yes
<b>Reverse polarity protection of the supply voltage</b>	no	yes
<b>UL approval</b>	file no. E224618	
<b>CE compliant</b> acc. to	EMC guideline 2014/30/EU RoHS guideline 2011/65/EU	

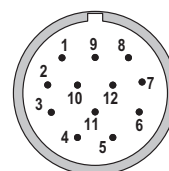
## Terminal assignment

Output circuit	Type of connection	Cable (isolate unused cores individually before initial start-up)												
1, 2	5804: 1, 2, A, B	Signal:	0 V	+V	0Vsens <sup>5)</sup>	+Vsens <sup>5)</sup>	A	$\bar{A}$	B	$\bar{B}$	0	$\bar{0}$	$\perp$	
	5824: 1, A	Core color:	WH 0.5 mm <sup>2</sup>	BN 0.5 mm <sup>2</sup>	WH	BN	GN	YE	GY	PK	BU	RD	shield	
Output circuit	Type of connection	M23 connector, 12-pin												
1, 2	5804: 3, 5	Signal:	0 V	+V	0Vsens <sup>5)</sup>	+Vsens <sup>5)</sup>	A	$\bar{A}$	B	$\bar{B}$	0	$\bar{0}$	$\perp$	
	5824: 2	Pin:	10	12	11	2	5	6	8	1	3	4	PH <sup>4)</sup>	

Using RS422 outputs and long cable distances, a wave impedance has to be applied at each cable end.

- +V: Supply voltage encoder +V DC
- 0 V: Supply voltage encoder ground GND (0 V)
- 0 Vsens / +Vsens: Using the sensor outputs of the encoder, the voltage present can be measured and if necessary increased accordingly.
- A,  $\bar{A}$ : Cosine signal
- B,  $\bar{B}$ : Sine signal
- 0,  $\bar{0}$ : Reference signal
- PH  $\perp$ : Plug connector housing (shield)

## Top view of mating side, male contact base

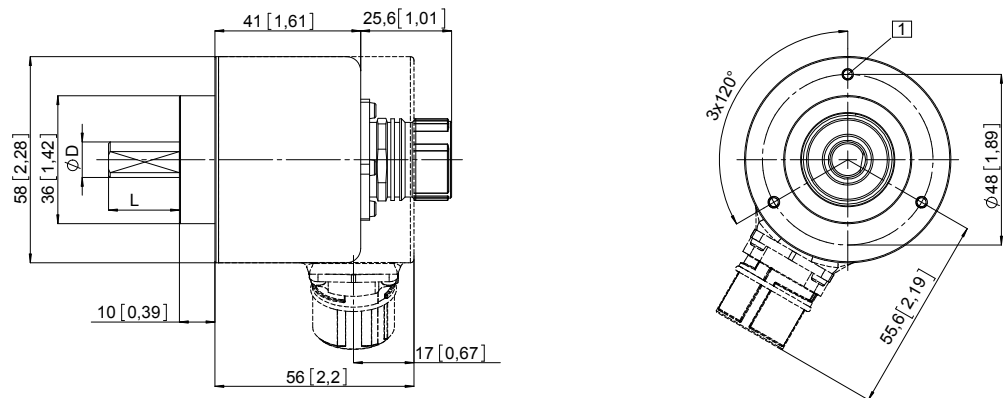


M23 connector, 12-pin

1) For continuous operation max. 3000 min<sup>-1</sup>, ventilated.  
 2) 70 °C [158 °F] for cable version.  
 3) If supply voltage correctly applied.  
 4) PH = shield is attached to connector housing.  
 5) The sensor cables are connected to the supply voltage internally. If long feeder cables are involved they can be used to adjust or control the voltage at the encoder.

# Incremental encoders

<b>Standard</b> sine wave output, with reference signal, optical	<b>5804 / 5824 (shaft / hollow shaft)</b>	<b>SinCos</b>
---	---	---------------



## Dimensions shaft version

Dimensions in mm [inch]

### Clamping flange, $\varnothing 58 [2.28]$

#### Flange type 1

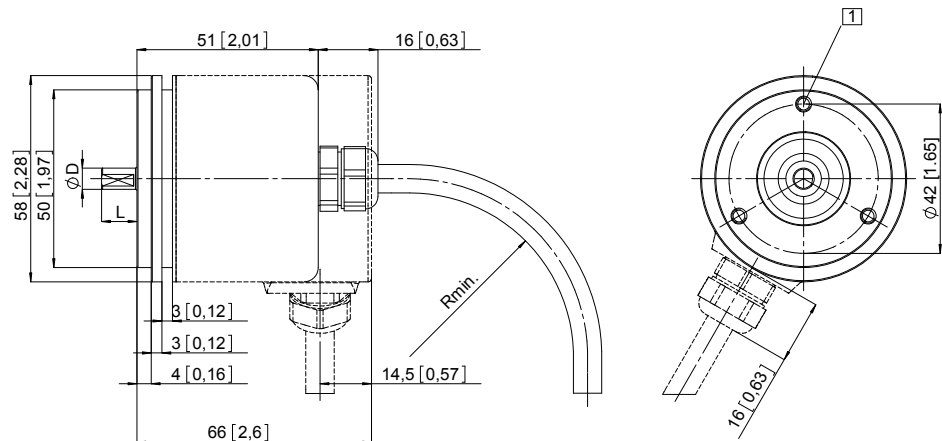
1 3 x M3, 5 [0.2] deep

D	Fit	L
6 [0.24]	h7	10 [0.39]
10 [0.39]	f7	20 [0.79]

### Synchro flange, $\varnothing 58 [2.28]$

#### Flange type 2

1 3 x M4, 5 [0.2] deep



$R_{min}$ :

- securely installed: 55 [2.17]
- flexibly installed: 70 [2.76]

D	Fit	L
6 [0.24]	h7	10 [0.39]
10 [0.39]	f7	20 [0.79]

# Incremental encoders

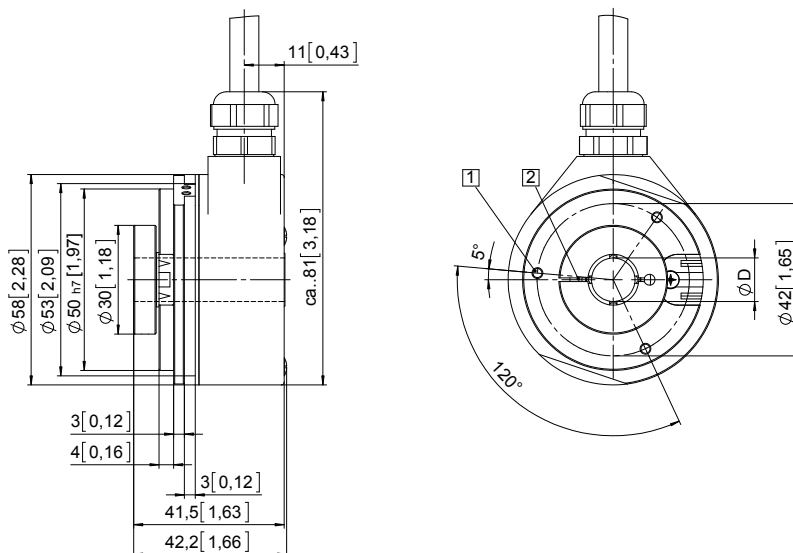
<b>Standard</b> sine wave output, with reference signal, optical	<b>5804 / 5824 (shaft / hollow shaft)</b>	<b>SinCos</b>
---	---	---------------

## Dimensions hollow shaft version

Dimensions in mm [inch]

### Flange with spring element, short Flange type 1 and 2

- 1 3 x M3, 5 [0.2] deep
- 2 Recommended torque for the clamping ring 0.6 Nm

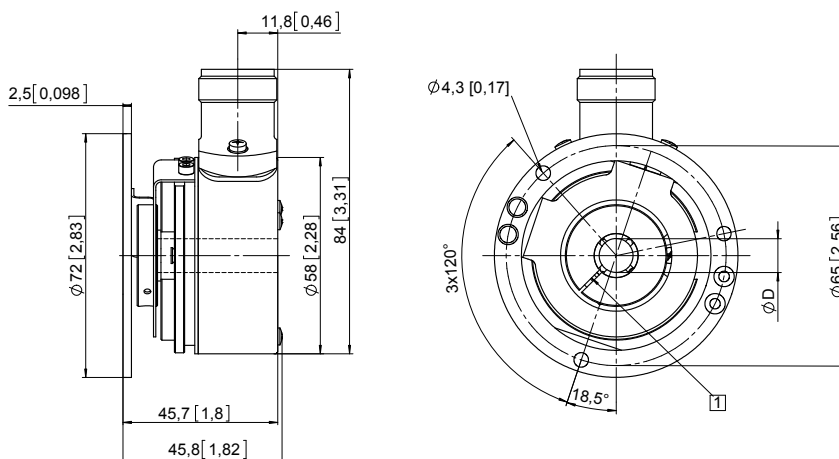


D	Fit
6 [0.24]	H7
8 [0.32]	H7
10 [0.39]	H7
12 [0.47]	H7

Insertion depth blind hollow shaft with flange 2:  
max. 30 mm [1.18"]

### Flange with stator coupling, ø 65 [2.56] Flange type 3 and 4

- 1 Recommended torque for the clamping ring 0.6 Nm



D	Fit
6 [0.24]	H7
8 [0.32]	H7
10 [0.39]	H7
12 [0.47]	H7

Min. insertion depth = 1.5 x D  
Insertion depth blind hollow shaft with flange 4:  
max. 30 mm [1.18"]