

S16-M

Socket for 8-pin Relays

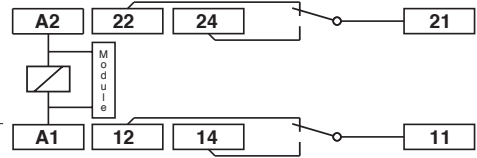
Rated Load **10 A / 300 V**

Specifications

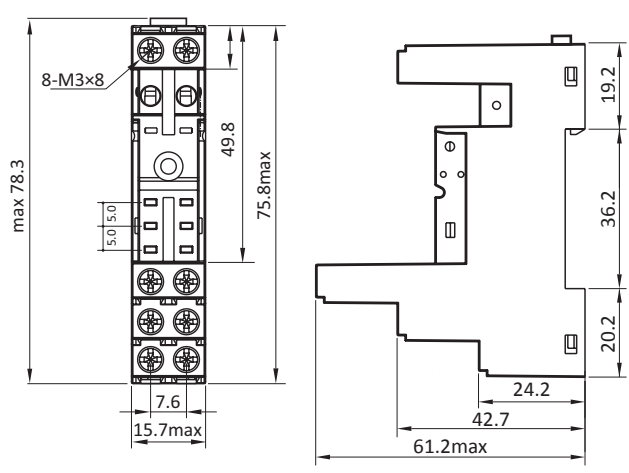
Rated impulse withstand voltage	3 kV rms / 1 min
- All terminals / DIN rail	3 kV rms / 1 min
- Terminal / Terminal	3 kV rms / 1 min
- Terminal / Coil	3 kV rms / 1 min
Cross-section of connecting wire	
- Single-wire	1 × 0.5 mm ² / AWG 20
- Multi-wire	1 × 2.5 mm ² / AWG 14 or 2 × 1.0 mm ² / AWG 18
Nominal screw torque	0.7 Nm
Screw Dimensions (mm)	M3 Pozzi 1 slot 2
Mounting	TS-35 or Back Panel Mounting
Ambient temperature	-40...60 °C / -40 ... 80 °C (no ice)
Weight	42 g



Connection diagram



Dimensions (mm)



Included Accessories

Retaining / Ejector clip, plastic CP-16

Optional Accessories (modules)

Free wheeling diode	RD16/DC12-240V
Green LED & free wheeling diode, 6-24V DC	RDL16/DC6-24V
Green LED & free wheeling diode, 24-60V DC	RDL16/DC24-60V
Green LED & free wheeling diode, 110-240V DC	RDL16/DC110-240V
Green LED, 6-24V AC/DC	RL16/UC6-24V
Green LED, 24-60V AC/DC	RL16/UC24-60V
Green LED, 110-240V AC/DC	RL16/UC110-240V
RC-Network 6-24V	RC16/UC6-24V
RC-Network 24-60V	RC16/UC24-60V
RC-Network 110-240V	RC16/UC110-240V

Technical approvals, conformities

