


MHT

COMPACT PTC HEATERS

Compact PTC heaters series with minimum DIN rail foot-print. Cable connection.

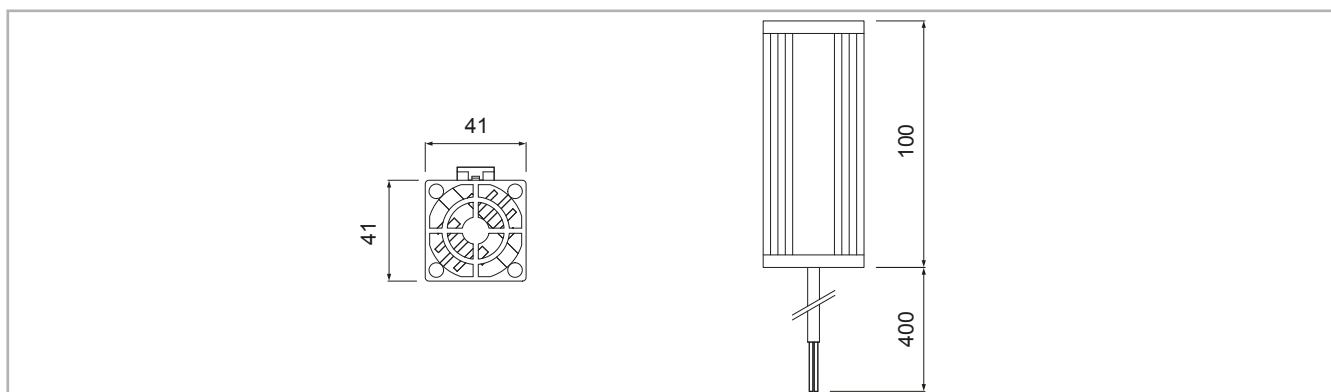


FEATURES	Unit	MHT25	MHT50
Heating Capacity*	W	25	50
Power supply	V	120-240V AC/DC	
Inrush current	A	2.5	3.5
Delayed fuse (advised)	A	4	4
Heating element type	-	PTC resistor, self-regulation	
Electrical connections	-	cable, 2x0,5mm ² , L=400mm	
Protection class	-	Class II	
Protection degree EN60529	-	IP20	
Operating temperature	°C (°F)	-45 / +70 (-49 / +158)	
Storage temperature	°C (°F)	-45 / +80 (-49 / +176)	
Radiator	-	Extruded aluminium profile	
Mounting	-	Clip for mounting on DIN rail 35 mm EN50022	
Installation position	-	Best efficiency in vertical position	
Dimensions HxWxD	mm	100x41x41	
Weight (with packaging)	Kg	0.29 (0.24)	
Conformity/Certification	-	CE - UL  File n. E301228	

*at 10°C (50°F) ambient temperature

Accessories

Thermostat NC 0-60°C	THR2
Double thermostat NC 0-60°C NO 0-60°	THR22
Hygrothermostat 0-60°C 20-90%RH	ETUH22.AA0
Hygrostat 10-90%RH	MUH



Specifications, values and drawings are subject to change without notice.