

GMS167

STATION WITH ALARM YELLOW BUTTON, YELLOW FLASHING LED AND PULSED BUZZER

Specifications

Material / color	cover: PC V0 transparent base: ABS V0 black RAL9005
Protection class	IP65
Operating temperature	-25°C ... +70°C
Max current	100 mA
Max power	2.4 W
Standards	EN81-20 / EN81-50
Cable gland	M16
Light diffusion angle	120°

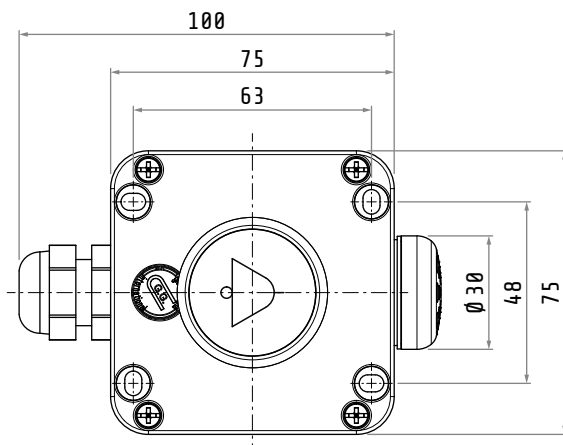
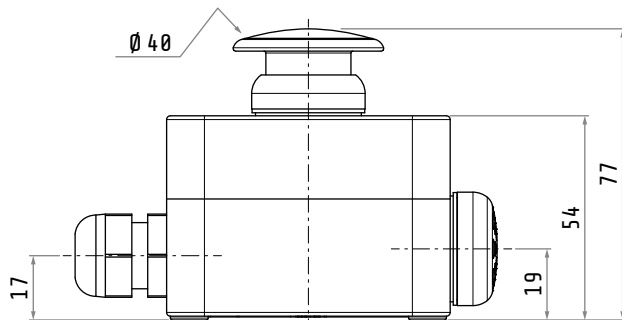
1 contact block NO (spring contacts)		
Rated insulation voltage	Ui	690 V *
Rated impulse withstand voltage	Uimp	4 kV *
Frequency		50/60 Hz *
Rated thermal current	Ith	16 A *
Rated operating current	Ithe	10 A

Marking

* IMQ approved values

Electronic PCB	
LED color	flashing yellow
Frequency	1.5 Hz
Rated voltage	12/24 VDC

Buzzer	
Sound pressure	80 dBA
Material	ABS V0
Protection class	IP69K
Rated voltage	24 VDC
Standards	EN60529



Dimensions in mm / illustrations NOT in scale