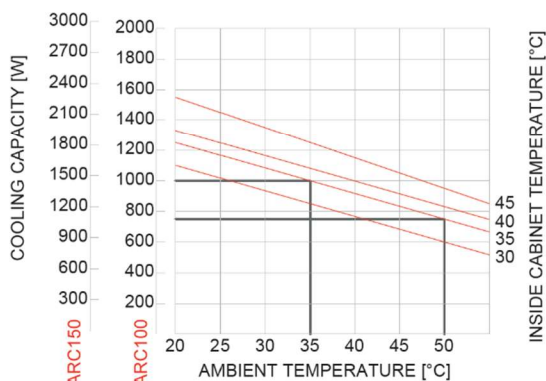
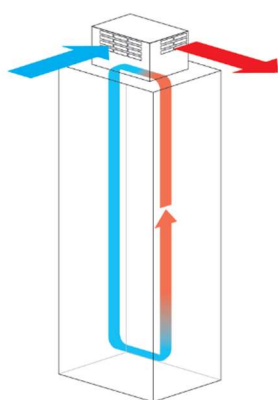




# Air Conditioning 1000-1500 W

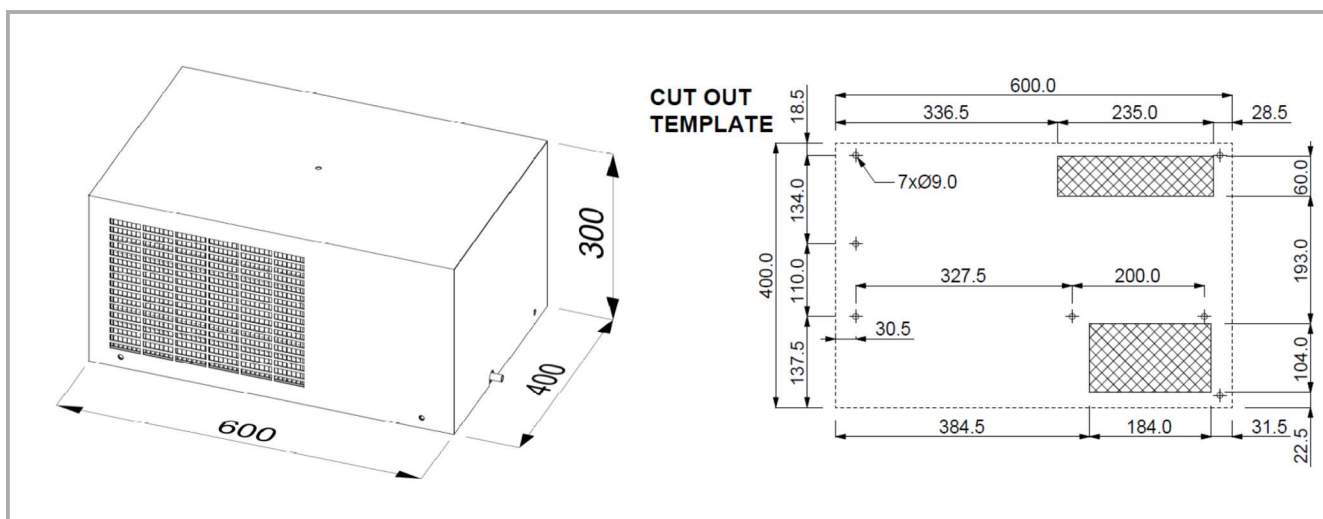
## ARC 100/150

ROOF MOUNT AIR CONDITIONER  
FOR INDOOR APPLICATION



CONTROL TYPE			ARTICLE CODE	
Digital thermostat with alarms			ARC100.002	ARC150.002
Digital thermostat with alarms and RS485 port (ModBUS)			ARC100.003	ARC150.003
FEATURES		Unit		
Power supply		V   ph   Hz	230   1   50/60	
Cooling capacity EN14511	A35-A35	W	1000 / 1060	1460 / 1520
	A35-A50	W	760 / 790	1090 / 1130
Absorbed electric power EN14511	A35-A35	W	780 / 850	870 / 930
	A35-A50	W	890 / 970	1050 / 1180
Rated current	A35-A35	A	3.7 / 3.9	4.6 / 4.8
Motor circuit breaker / Delayed pre fuse (advised)		A	10	
Electrical connection		-	Three-pole connector	
Air flow rate (free blow)		enclosure	m <sup>3</sup> /h 600 / 625	
Operating temperature	ambient	°C (°F)	+20   +55 (+68   +131)	
	enclosure	°C (°F)	+20   +45 (+68   +113)	
Refrigerant / charge		-   g	R134a   500	R134a   500
Protection degree EN60529/1	ambient	-	IP34	
	enclosure	-	IP54 (when installed on enclosure with the same protection degree)	
Design	casing	-	Galvanised sheet steel	
	cover	-	Galvanised sheet steel powder coated RAL7035	
Package Dimension H x W x D		mm	520 x 755 x 510	
Weight (with packaging)		kg	36(38)	37(39)
Conformity / Certifications		-	CE	

Accessories		
Door limit switch		FINCOR
Door limit switch with mechanical lock		FINRIP
Flashing safety device		FSL



Specifications, values and drawings are subject to change without notice.