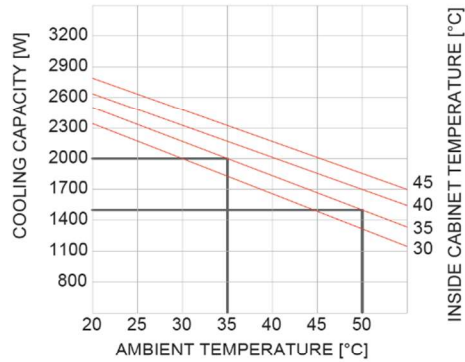
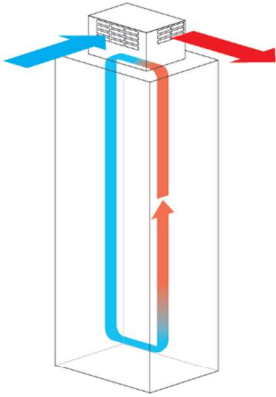


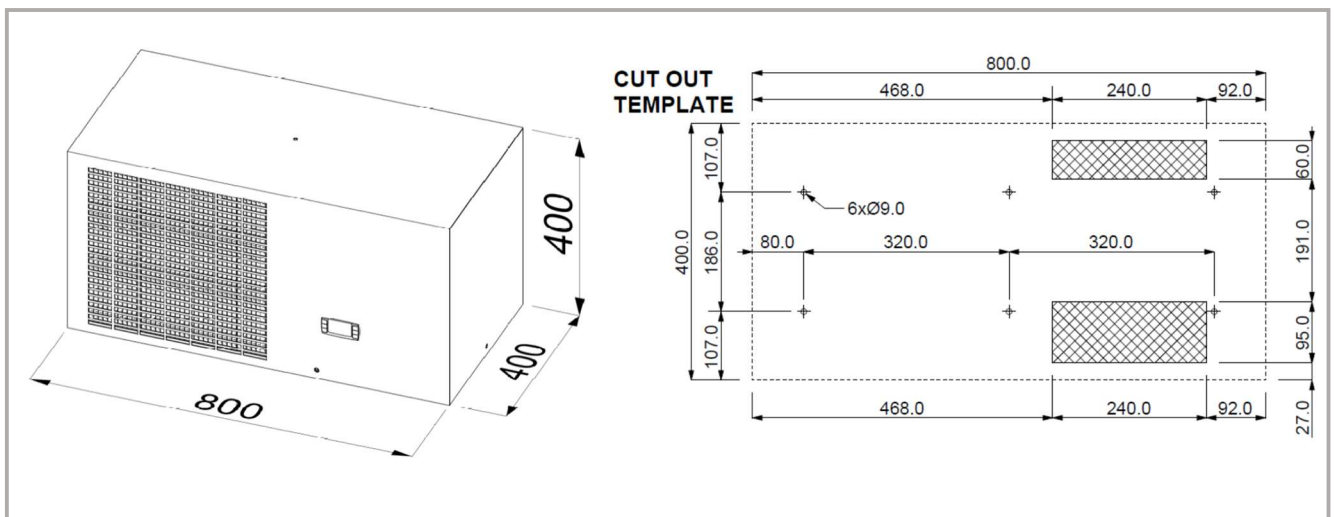


ARC 200

ROOF MOUNT AIR CONDITIONER FOR INDOOR APPLICATION



| CONTROL TYPE | | | ARTICLE CODE |
|--|-----------|-------------|--|
| Digital thermostat with alarms | | | ARC200.002 |
| Digital thermostat with alarms and RS485 port (ModBUS) | | | ARC200.003 |
| FEATURES | | Unit | |
| Power supply | | V ph Hz | 230 1 50/60 |
| Cooling capacity EN14511 | A35-A35 | W | 2000 / 2110 |
| | A35-A50 | W | 1500 / 1570 |
| Absorbed electric power EN14511 | A35-A35 | W | 900 / 1050 |
| | A35-A50 | W | 1100 / 1250 |
| Rated current | A35-A35 | A | 5.1 / 6.2 |
| Motor circuit breaker / Delayed pre fuse (advised) | | A | 10 |
| Electrical connection | | - | connector |
| Air flow rate (free blow) | enclosure | m³/h | 860 / 950 |
| Operating temperature | ambient | °C (°F) | +20 +55 (+68 +131) |
| | enclosure | °C (°F) | +20 +45 (+68 +113) |
| Refrigerant /charge | | - g | R134a 750 |
| Protection degree EN60529/1 | ambient | - | IP34 |
| | enclosure | - | IP54 (when installed on enclosure with the same protection degree) |
| Design | casing | - | Galvanised sheet steel |
| | cover | - | Galvanised sheet steel powder coated RAL7035 |
| Package Dimension H x W x D | | mm | 480 x 865 x 440 |
| Weight (with packaging) | | kg | 54(57) |
| Conformity / Certifications | | - | CE |
| Accessories | | | |
| Door limit switch | | | FINCOR |
| Door limit switch with mechanical lock | | | FINRIP |
| Flashing safety device | | | FSL |



Specifications, values and drawings are subject to change without notice.