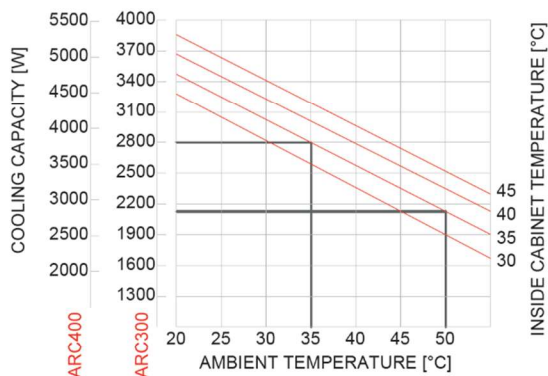
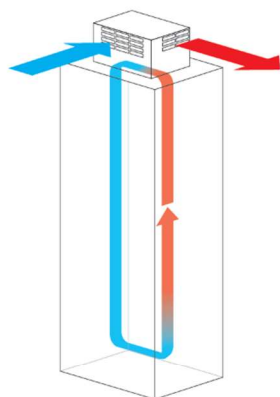


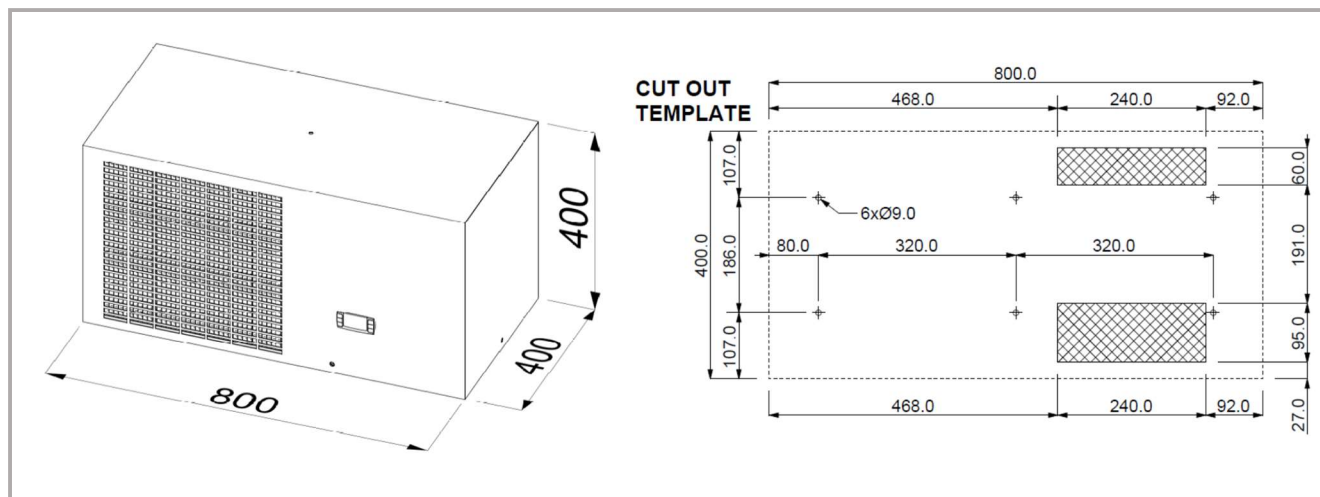


Air Conditioning 2800-3800 W

ARC 300/400 ROOF MOUNT AIR CONDITIONER FOR INDOOR APPLICATION



CONTROL TYPE			ARTICLE CODE	
Digital thermostat with alarms			ARC300.432	ARC400.432
Digital thermostat with alarms and RS485 port (ModBUS)			ARC300.433	ARC400.433
FEATURES			Unit	
Power supply		V ph Hz	400 3 50 / 460 3 60	
Cooling capacity EN14511	A35-A35	W	2800/2930	3800/3980
	A35-A50	W	2110/2300	2840/3150
Absorbed electric power EN14511	A35-A35	W	1700/1810	1900/2030
	A35-A50	W	2270/2390	2450/2600
Rated current		A	2.8/3.4	4.0/4.8
Motor circuit breaker / Delayed pre fuse (advised)		A	16	16
Electrical connection		-	Three-pole connector	
Air flow rate (free blow)	enclosure	m ³ /h	860/950	
Operating temperature	ambient	°C (°F)	+20 +55 (+68) +131 / +20 +50 (+68) +122	
	enclosure	°C (°F)	+20 +45 (+68) +113	
Refrigerant / charge		- g	R134a 900	R134a 900
Protection degree EN60529/1	ambient	-	IP34	
	enclosure	-	IP54 (when installed on enclosure with the same protection degree)	
Design	casing	-	Galvanised sheet steel	
	cover	-	Galvanised sheet steel powder coated RAL7035	
Package Dimension H x W x D		mm	480 x 865 x 440	
Weight (with packaging)		kg	65(67)	65(67)
Conformity / Certifications		-	CE	
Accessories				
Door limit switch			FINCOR	
Door limit switch with mechanical lock			FINRIP	
Flashing safety device			FSL	



Specifications, values and drawings are subject to change without notice.