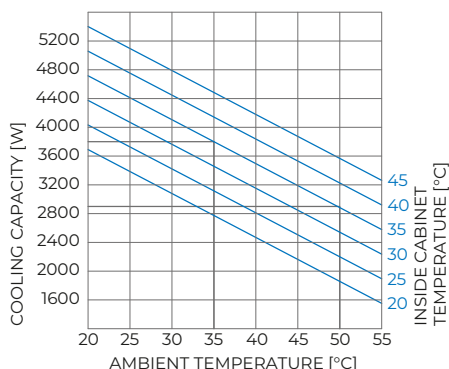
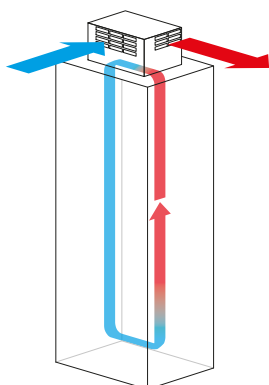




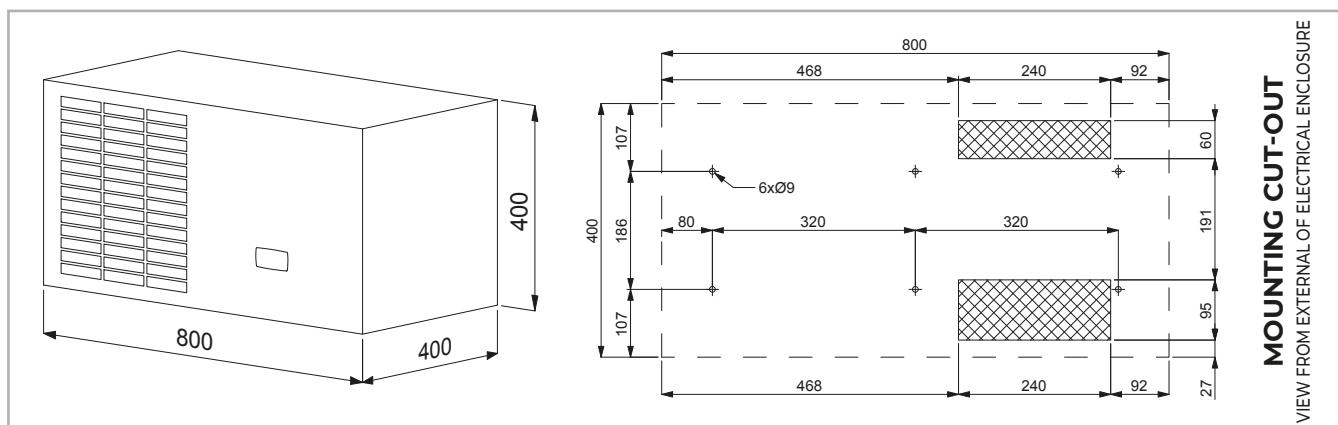
## ARC400

### ROOF MOUNT AIR CONDITIONER FOR INDOOR APPLICATION



CONTROL TYPE		ARTICLE CODE	
Digital thermostat with alarms		<b>ARC400.432</b>	
Digital thermostat with alarms and RS485 port (ModBUS)		<b>ARC400.433</b>	
FEATURES		Unit	
Power supply		V   ph   Hz	
		400   3   50 / 460   3   60	
Cooling capacity EN14511	A35-A35	W	3800 / 3980
	A35-A50	W	2840 / 3150
Absorbed electric power EN14511	A35-A35	W	1900 / 2030
	A35-A50	W	2450 / 2600
Rated current		A	
		4.0 / 4.8	
Motor circuit breaker / Delayed pre fuse (advised)		A	
		16	
Electrical connection		-	
		quick connector	
Air flow rate (free blow)	enclosure	m <sup>3</sup> /h	860 / 950
Operating temperature	ambient	°C (°F)	+20 / +55 (+68 / +131)   +20 / +50 (+68 / +122)
	enclosure	°C (°F)	+20 / +45 (+68 / +113)
Refrigerant /charge		-   g	R134a   900
Protection degree EN60529/1	ambient	-	IP34
	enclosure	-	IP54 (when installed on enclosure with the same protection degree)
Design	casing	-	Galvanised sheet steel
	cover	-	Galvanised sheet steel powder coated RAL7035
Package Dimension H x W x D		mm	480x865x440
Weight (with packaging)		kg	65 (67)
Conformity / Certifications		-	CE

Accessories		
Door limit switch		FINCOR
Kit air filter polyurethane mat		KFR.03P



Specifications, values and drawings are subject to change without notice.

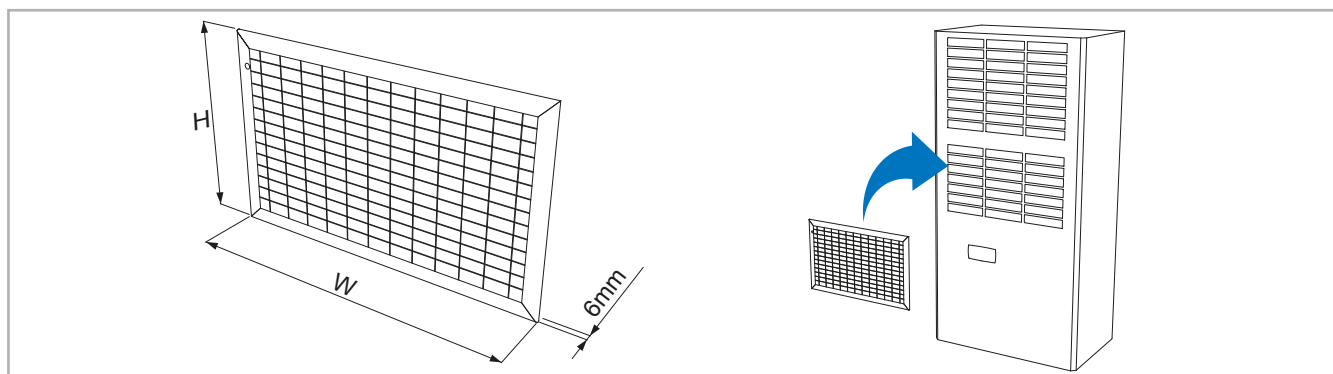


## KFV/KFR

### KIT AIR FILTER FOR AIR CONDITIONERS



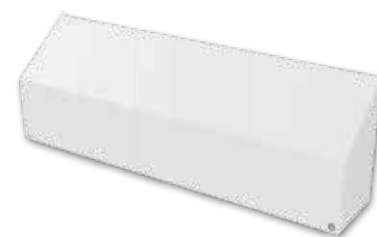
FEATURES	Unit	KFV.01P	KFV.02P	KFV.03P	KFV.04P	KFV.05P	KFR.01P	KFR.02P	KFR.03P
Suitable for		AVC035	AVC085	AVC145	AVC200	AVC300 AVC400	ARC050	ARC100 ARC150	ARC200 ARC300 ARC400
Dimensions									
W	mm	242	279	332	279	337	470	381	451
H	mm	172	176	204	288	411	240	266	385
Material	-	Filter mat: PU foam							
	-	Frame: Galvanised sheet steel							
Conformity	-	CE							



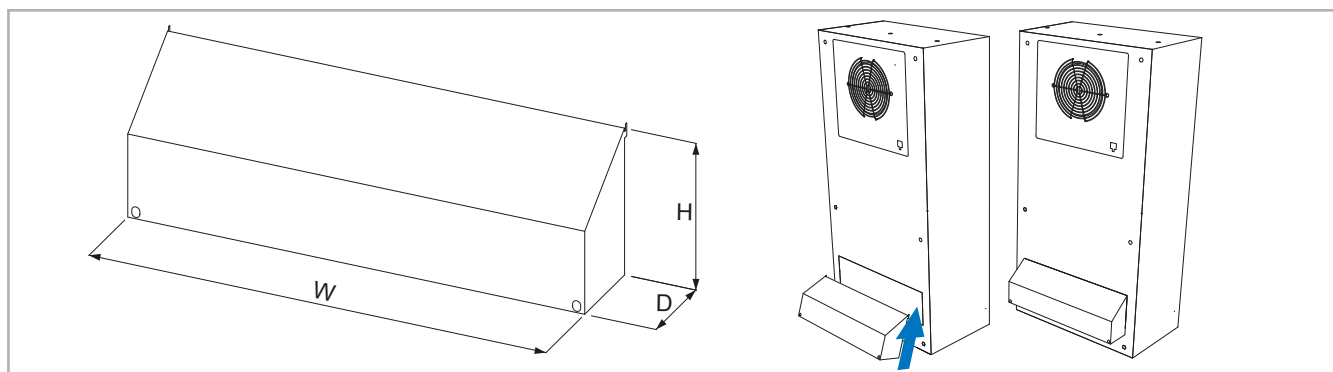
Specifications, values and drawings are subject to change without notice.

## FD

### AIR FLOW DIVERTER FOR AIR CONDITIONERS



FEATURES	Unit	FD035	FD085	FD145	FD200	FD400
Suitable for		AVC035 AVE035	AVC085 AVE085	AVC145 AVE145	AVC200 AVE200	AVC300/AVC400 AVE300/AVE400
Dimensions						
W	mm	124	266	340	340	312
H	mm	80	92	112	142	172
D	mm	64	65	65	65	87
Material	-	Galvanised sheet steel powder coated RAL7035				
Conformity	-	CE				

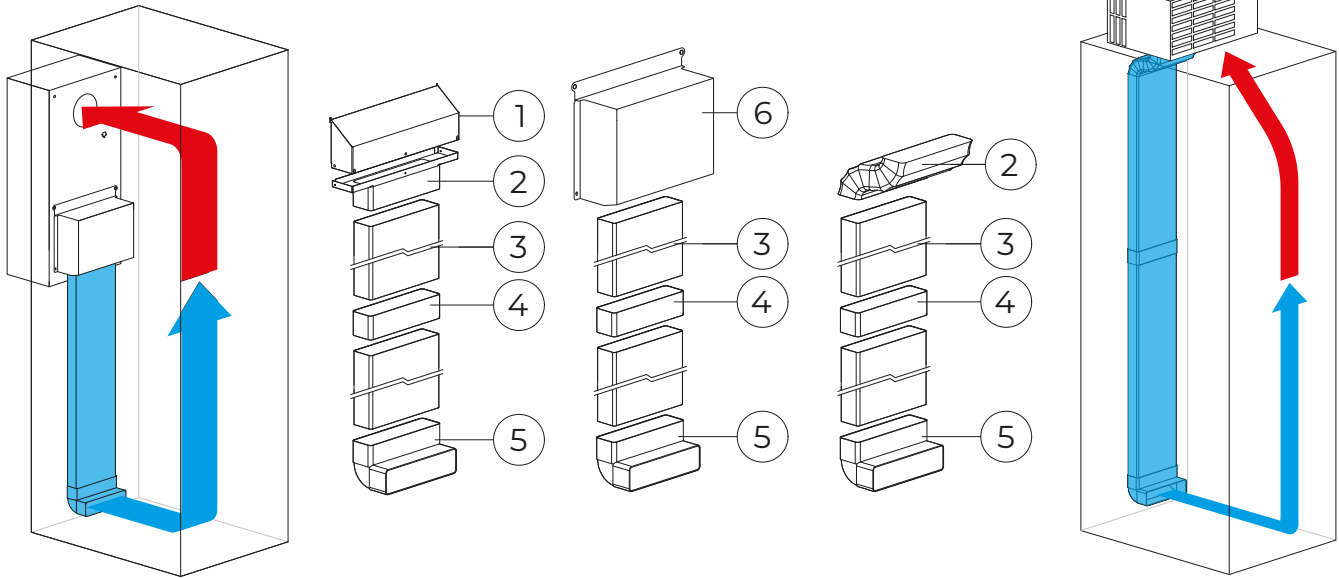


Specifications, values and drawings are subject to change without notice.

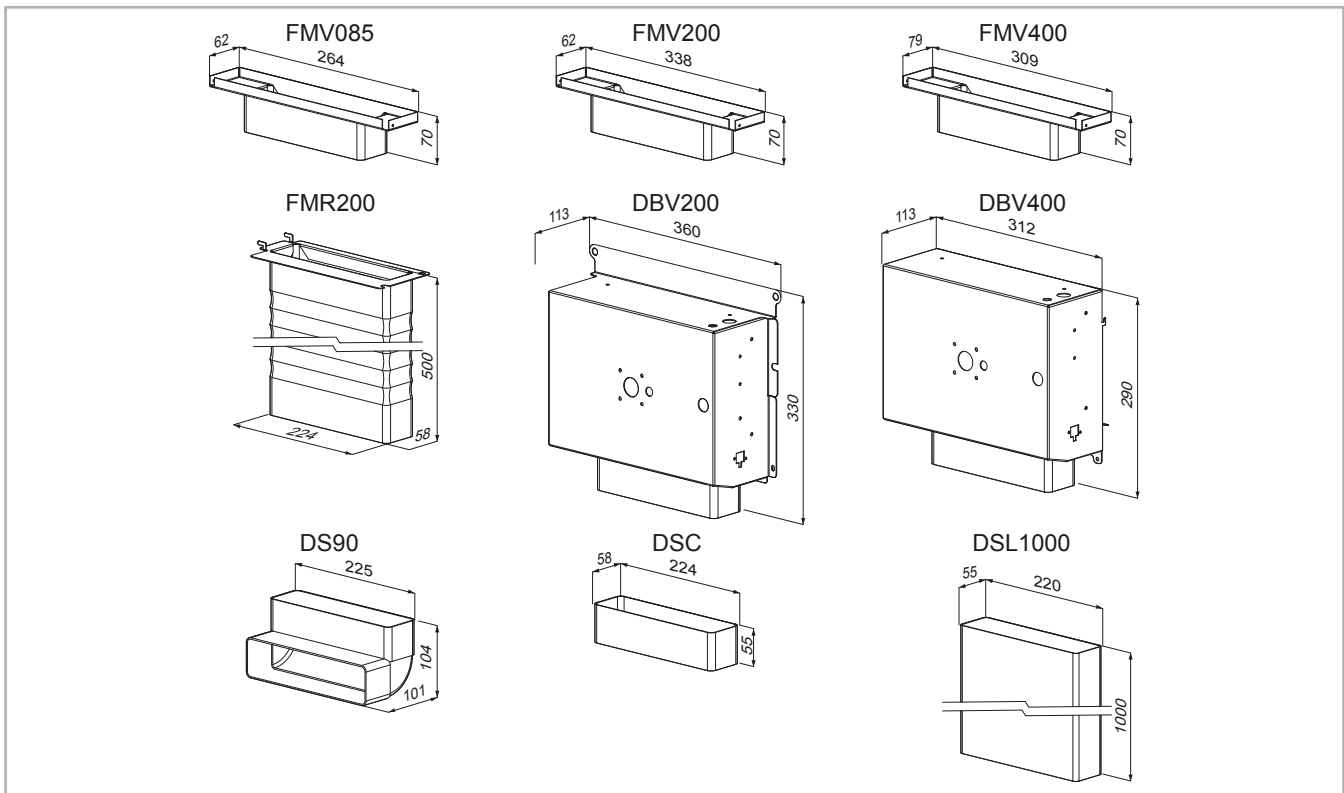


## DUCTING

### DUCTING SYSTEM FOR AIR CONDITIONERS



Suitable for	AVC085	AVC145	AVC200	AVC300 AVC400	ARC100 ARC150	ARC200 ARC300 ARC400
<b>1</b> flow diverter	FD085	FD145	FD200	FD400	-	-
<b>2</b> flow diverter adapter	FMV085	FMV200	FMV200	FMV400	FMR200	
<b>3</b> flat duct 1000mm	DSL100					
<b>4</b> flat duct connector	DSC					
<b>5</b> 90 degree duct bend	DS90					
<b>6</b> duct booster fan	-	DBV200.000 (230 v   1   50/60 Hz) DBV200.010 (115 v   1   50/60 Hz)		DBV400	-	-



Specifications, values and drawings are subject to change without notice.