

Completely pre-assembled Signal Towers / CleanSIGN
CleanSIGN BM Contin. tone 24VDC MC



| | |
|-----------|------------|
| Part No.: | 695.210.55 |
| Series: | CleanSIGN |

**MECHANICAL DATA**

| | |
|------------------------------|-----------------------------|
| Length | 152 mm |
| Width | 112 mm |
| Height | 390 mm |
| Diameter | 77 mm |
| Materials | PA |
| Dome colour | Clear |
| Housing colour | Black |
| Protection category | IP67 IP69K |
| Connection | Screw terminals |
| cross-sectional area maximum | 1,50mm ² / 16AWG |
| Type of fixing | Base mounting |
| Working temperature minimum | -30°C |
| Working temperature maximum | +50°C |
| Weight with packaging | 559 g |
| Product weight | 419 g |

ELECTRICAL DATA

| | |
|-----------------------------|--------------------|
| Operating voltage | 24V |
| Operating voltage type | DC |
| Operating voltage tolerance | +/- 10% |
| Rated operational voltage | 24 VDC |
| Rated operational current | 260 mA |
| Rated inrush current | 280 mA |
| Protection class | Protection class 2 |
| Pollution degree | 3 |

OPTICAL DATA

| | |
|----------------------|---------------------|
| Light source | LED |
| Light colour | MC 3 colours Red |
| Optical signal image | Permanent |
| Service life optical | 50,000 h maximum |

ACUSTICAL DATA

| | |
|-----------------------------|-----------------|
| Volume (max) at 1m distance | 85,0 dB (A) |
| Acoustic signal image | Continuous tone |
| Audio frequency | 2400 Hz |
| Acoustic service life | 5,000 h minimum |



For additional installation and mounting information, refer to the appropriate user guide at www.werma.com. This printed copy is for information only and is subject to alteration.

Completely pre-assembled Signal Towers / CleanSIGN

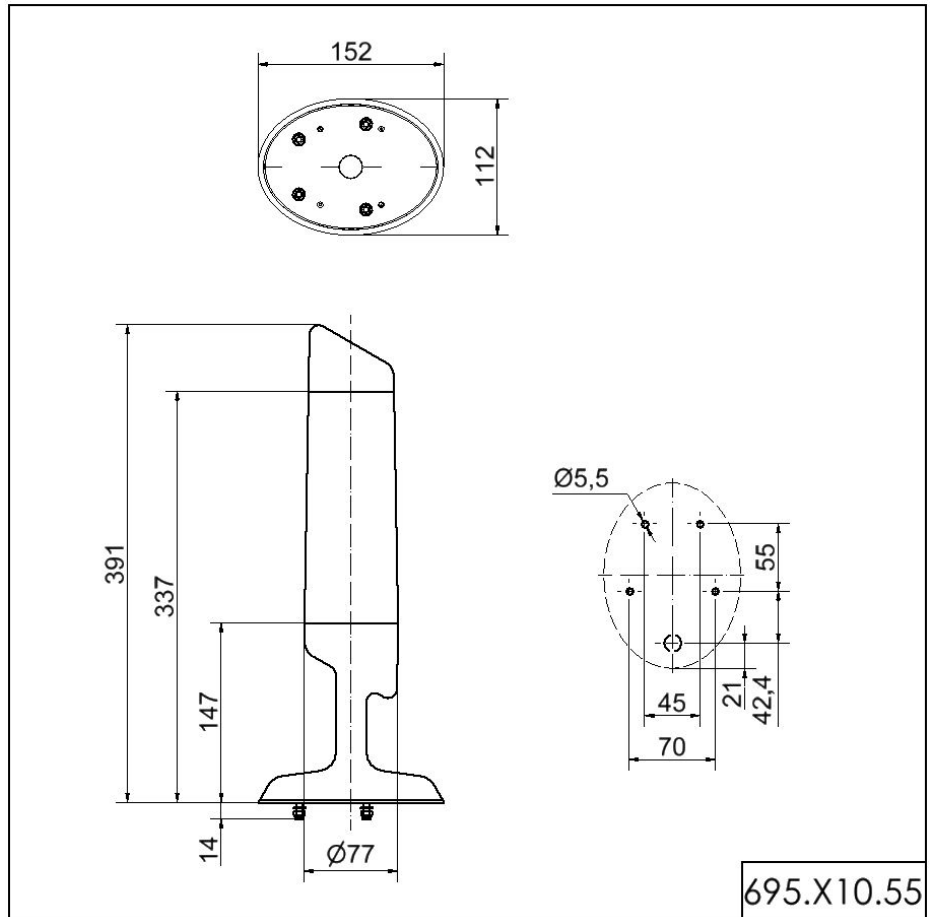
CleanSIGN BM Contin. tone 24VDC MC

| APPROVAL DATA | |
|-----------------------------|-----|
| Conforms with CE | Yes |
| WEEE | No |
| Conforms with RED directive | No |
| Conform with ATEX-directive | No |
| Conforms with CCC | No |
| Conforms with UL | No |
| Conforms with FCC | No |
| Conforms with IC | No |
| EAC certificate available | Yes |
| Conforms with AS-I | No |
| ICAO Certification | No |
| Conforms with GL | No |
| Conforms with RoHS CN | No |
| Conforms with VdS | No |

! For additional installation and mounting information, refer to the appropriate user guide at www.werma.com. This printed copy is for information only and is subject to alteration.

Completely pre-assembled Signal Towers / CleanSIGN
CleanSIGN BM Contin. tone 24VDC MC

DRAWING



! For additional installation and mounting information, refer to the appropriate user guide at www.werma.com. This printed copy is for information only and is subject to alteration.