

Position displays

LCD position displays **Phase discriminator (quadrature) x1 and x2 evaluation** **Codix 133**



The Codix 133 is a simple battery-powered position display with a phase discriminator (quadrature) counting input. NPN and PNP pulses can be shown on the 8-digit LCD display that is also available with optional backlighting.



Battery powered	Type of input	Phase discriminator	Pulse voltage 4 ... 30 V	Max. count frequency 6 kHz	Temperature range -10°... +60°C	High protection level	DIN front bezel	LCD display	Lockable reset

Powerful

- High quality 8-digit LCD display with 8 mm high figures with optional backlighting.
- Counting modes include phase discriminator (quadrature) counting (also with pulse doubling) for connection to incremental encoders.
- Battery life approx. 8 years.
- Count frequency max. 6 kHz.
- High protection level IP65.

Simple

- Screw terminals, RM 5 mm.
- Reset key can be enabled via "Reset Enable" input.
- For positive or negative counting edge, depending on version.

Order code

6.133 . 012 . 8XX
a b

a Backlighting

- 5 = without ¹⁾
- 6 = with

b Count input (input type: NPN/PNP ²⁾)

Input type	INP A			INP B				
0 = Quad/Quad2 ²⁾	0 ... 0.7 V DC	channel A	NPN	3 kHz	0 ... 0.7 V DC	channel B	NPN	3 kHz
1 ¹⁾ = Quad/Quad2 ²⁾	4 ... 30 V DC	channel A	PNP	6 kHz	4 ... 30 V DC	channel B	PNP	6 kHz

Delivery specification

- Counter
- Mounting clip
- Front bezel for screw mounting (T008181) 56 x 40 mm [2.20 x 1.57"], panel cut-out 50 x 25 mm [1.97 x 0.98"]
- Front bezel for clip mounting (T008180) 53 x 28 mm [2.09 x 1.10"], panel cut-out 50 x 25 mm [1.97 x 0.98"]
- Gasket
- Instruction manual, multilingual

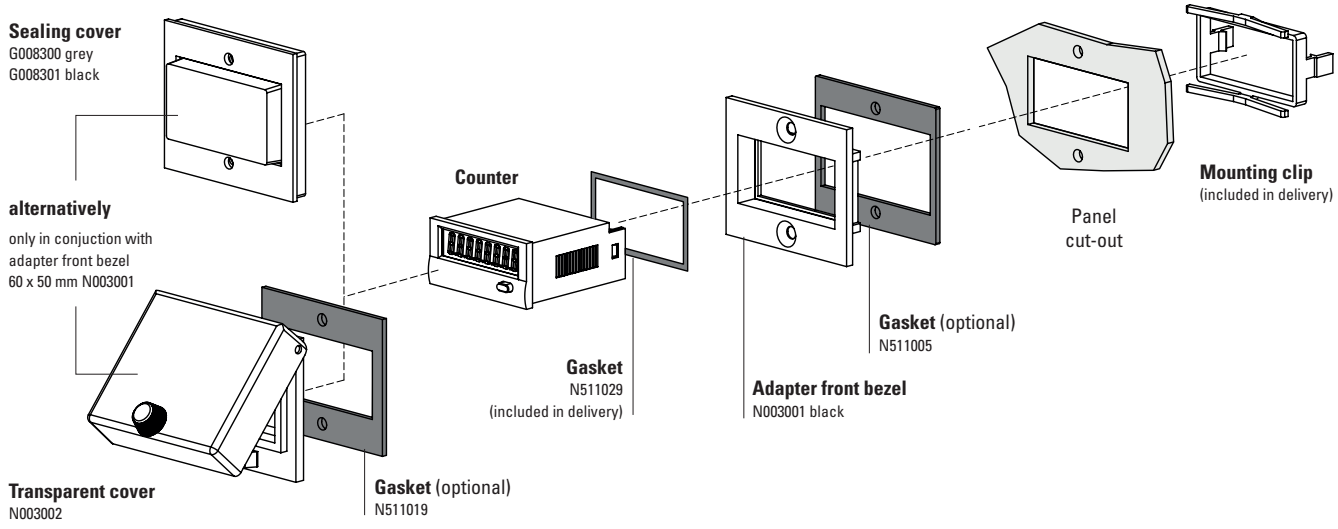
1) Stock types

2) Phase discriminator for incremental encoders with x1 / x2 evaluation

Position displays

LCD position displays Phase discriminator (quadrature) x1 and x2 evaluation Codix 133

Accessories / Mounting examples



		Type / size	Description		Order no.	suitable gasket
Adapter front bezel		53 x 28 mm [2.09 x 1.10"]	for cut-out 50 x 25 mm [1.97 x 0.98"] to cut-out 45 x 22.2 mm [1.77 x 0.94"]	grey black anthracite	T008164 T008165 T008180	N511015
		56 x 40 mm [2.20 x 1.57"]	for cut-out 50 x 25 mm [1.97 x 0.98"] to cut-out 45 x 22.2 mm [1.77 x 0.94"] screw mounting	black anthracite	T008161 T008181	N511045
		72 x 36 mm [2.83 x 1.42"]	for cut-out 68 x 33 mm [2.68 x 1.30"] to cut-out 45 x 22.2 mm [1.77 x 0.94"]	black and silver anodised as set	162704Set	–
		60 x 50 mm [2.36 x 1.97"]	for cut-out 54 x 29 mm [2.13 x 1.14"] to cut-out 45 x 22.2 mm [1.77 x 0.94"] screw mounting	black	N003001	N511005
		48 x 48 mm [1.89 x 1.89"]	for cut-out 45 x 45 mm [1.77 x 1.77"] to cut-out 45 x 22.2 mm [1.77 x 0.94"]	black	T008883	–
Sealing cover IP65		K1	only in conjunction with adapter front bezel 60 x 50 mm N003001	transparent / grey transparent / black	G008300 G008301	–
Transparent cover IP65		1 Dv (mounted on bezel)	cover lockable, for cut-out 54 x 29 mm [2.13 x 1.14"], only in conjunction with adapter front bezel 60 x 50 mm N003001	transparent / black	N003002	N511019
Gasket counter			48 x 24 mm (for installation in adapter front bezel) 49 x 25 mm		N511029 N511034	
Mounting frame		cut-out 50 x 25 mm [1.97 x 0.98"]	via adapter T008180 for snap-on mounting on 35 mm [1.38"] top-hat DIN rail	chromated	G300004	–
Enclosure blind		48 x 24 mm [1.89 x 0.94"]	for cut-out 45 x 22.2 mm [1.77 x 0.94"] and cut-out 50 x 25 mm [1.97 x 0.98"]	anthracite	G003836	–

incl. in delivery

Position displays

LCD position displays Phase discriminator (quadrature) x1 and x2 evaluation Codix 133

Technical data

General technical data	
Display	LCD, 8 digits, 8 mm [0.32"] high
Backlighting	external electrical source 24 V DC $\pm 20\%$, 50 mA
Modes	phase discriminator x1 or x2 evaluation selectable
Display range	-9999999 ... 99999999, with overflow display
Reset	manual and electrical
Working temperature	-10 °C ... +55 °C [+14 °F ... +131 °F] (non-condensing)
Operating temperature	-10 °C ... +60 °C [+14 °F ... +140 °F] (non-condensing)
Storage temperature	-20 °C ... +70 °C [-4 °F ... +158 °F]
Relative humidity	< 85 % (non-condensing)
Altitude	up to 2000 m [6562']

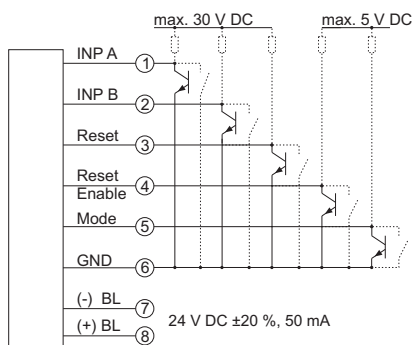
Electrical characteristics	
Supply voltage	internal lithium battery approx. 8 years at 20 °C [68 °F]
EMC standards	EN 55011 class B EN 61000-6-2, EN 61000-6-3
UL approval	file E128604

Mechanical characteristics	
Housing	dark grey RAL 7021
Protection	IP65 (front side)
Weight	approx. 50 g [1.76 oz]

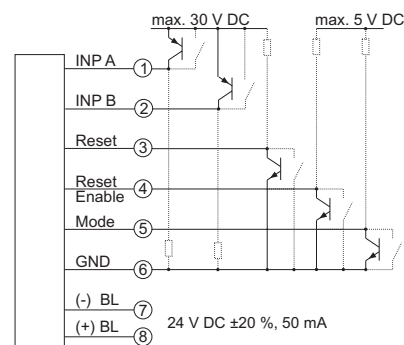
Counting inputs		
Fast counting input	Switching level NPN	LOW 0 ... 0.7 V HIGH 3 ... 30 V DC
	Switching level PNP	LOW 0 ... 0.7 V HIGH 4 ... 30 V DC
Switching		x1 or x2 evaluation can be set via the mode input
Switching (mode)		
Contact input		Open Collector NPN (switching at 0 V DC)
Switching level NPN	LOW 0 ... 0.7 V HIGH 3 ... 5 V DC	
Reset input		
Minimum pulse time	DC	50 ms
	high voltage	16 ms
Contact input DC – NPN	LOW 0 ... 0.7 V HIGH 3 ... 30 V DC	
Electrical reset key locking		
Contact input		Open Collector NPN (switching at 0 V DC)
Switching level – NPN	LOW 0 ... 0.7 V HIGH 3 ... 5 V DC	

Terminal assignment

DC type: 6.133.012.8x0



DC type: 6.133.012.8x1



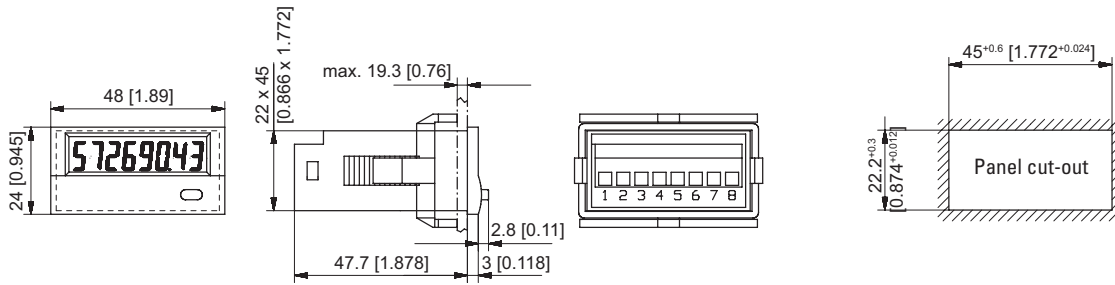
BL = backlighting

Position displays

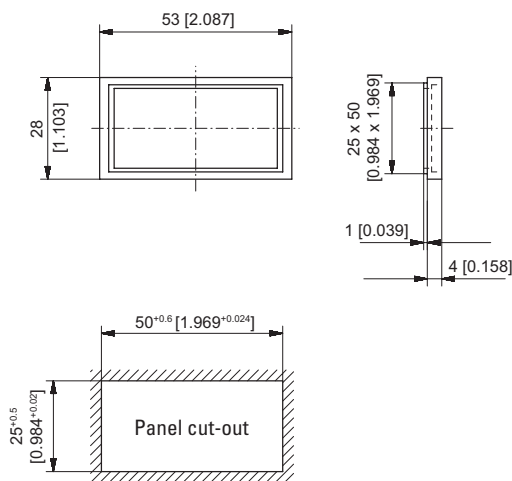
LCD position displays Phase discriminator (quadrature) x1 and x2 evaluation Codix 133

Dimensions

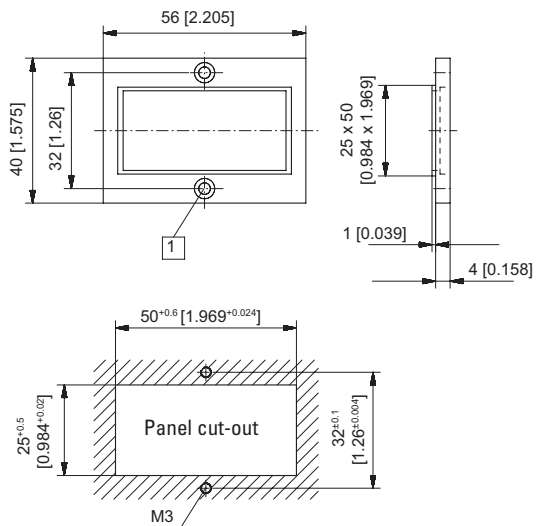
Dimensions in mm [inch]



Front bezel for clip mounting (included in delivery)



Front bezel for screw mounting (included in delivery)



1 Countersinking Af3, DIN 74