

Pulse counters, electromechanical

Standard counters	4 digits with reset (AC+DC)	Bk 14
-------------------	-----------------------------	-------



The standard totalizers Bk 14 (with manual reset) boast a robust construction despite their small size.

They are ideal for use in harsh industrial environments.

Characteristics

- 4-digit totalizer with manual reset.

Benefits

- Very long service life (200 million pulses).

Applications

General quantity counting, time, charge and performance metering.

Type series

Description	Type	Order information
Panel mount with 2 mounting holes	Bk 14.11	· Art. no. · At different voltages, please give type, voltage, kind of voltage and series e.g.: Bk 14.21, 12 V AC, type a
Panel mount for clip mounting	Bk 14.21	

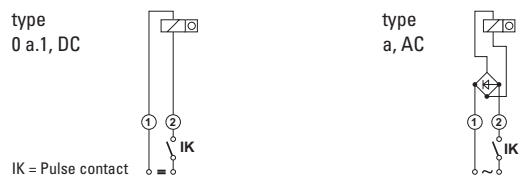
Technical data	
Electrical connection	tinned round pins ø 1.6 mm [0.063"] with push on connectors
Rated voltage	type 0/l/a 12 / 24 / 48 / 115 / 230 V DC ±10 % 24 / 48 / 115 / 230 V AC ±10 %
Color of counter	grey
Height of figures	approx. 2 x 4 mm [0.079 x 0.16"]
Color of figures	white on black
Counting mechanism shaft	stainless steel
Relative humidity at +30 °C [+86 °F]	≤ 80 % (non-condensing)
Altitude	up to 2000 m [6562']
Mounting position	any
Operating life	approx. 200 x 10 ⁶ pulses
Protection	IP40 (front side)
Weight	70 g [2.47 oz]
Test voltage	2000 V ~ effective, acc. to VDE 0435
Vibration resistance	3 g up to 10 Hz 6 g up to 15 Hz independent of position 10 g 20 - 300 Hz

EMC standards	EN 55011 class B EN 61000-6-2, EN 61000-6-3
Device safety	designed to protection class 2 application area pollution level 2

Options

- key locking reset special key (order code "vs", e.g. Bk 14.11 vs)
- housing color black
- higher counting speed
- also with flying leads

Connection diagram



Type / Counting mechanism										
Voltage	Type	Pulse frequency max.	Pulse on time min.	Pulse interval min.	Pulse ratio	On-time	Power consump. approx.	Permi. residual ripple max.	Operating temp. (non-condensing)	
V DC	0	10 Hz	60 ms	40 ms	3 : 2	100 %	1 W	48 %	-10 °C ... +60 °C [+14 °F ... +140 °F]	
V DC	1	25 Hz	24 ms	16 ms	3 : 2	100 %	2 W	48 %	-10 °C ... +60 °C [+14 °F ... +140 °F]	
V AC	a	18 Hz	22.2 ms	33.3 ms	2 : 3	100 %	2.9 VA	—	-10 °C ... +55 °C [+14 °F ... +131 °F]	

Pulse counters, electromechanical

Standard counters

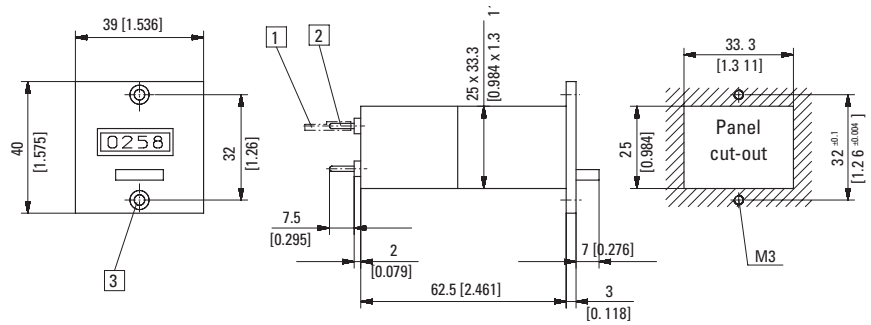
4 digits with reset (AC+DC)

Bk 14

Panel mount with 2 mounting holes

4 digits, with reset

Type Bk 14.11



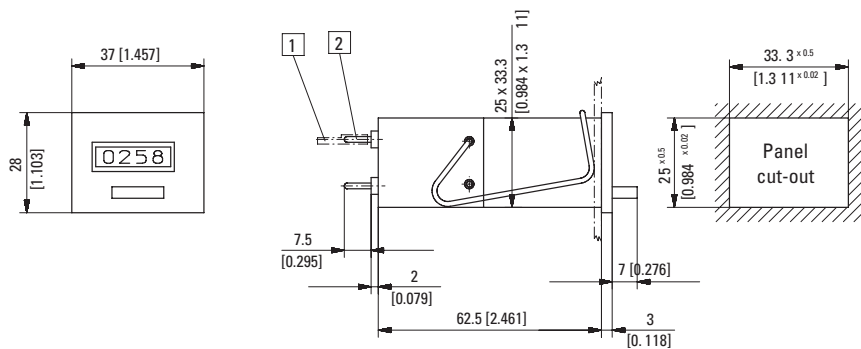
1 Push on connector \varnothing 1.5 [0.059], tinned 2 Round pin \varnothing 1.6 [0.063], tinned 3 Countersinking Af3 DIN 74

Type	Voltage	Display	Art. no.			
			12 V	24 V	115 V	230 V
Bk 14.11	DC (10 Hz) / 0	4 digits	1.180.110.012	1.180.110.013 ¹⁾		
	DC (25 Hz) / 1		1.180.110.032	1.180.110.033		
	AC (18 Hz) / a			1.180.110.061	1.180.110.064	1.180.110.066

Panel mount for clip mounting

4 digits, with reset

Type Bk 14.21



1 Push on connector \varnothing 1.5 [0.059], tinned 2 Round pin \varnothing 1.6 [0.063], tinned

Type	Voltage	Display	Art. no.			
			12 V	24 V	115 V	230 V
Bk 14.21	DC (10 Hz) / 0	4 digits	1.180.210.012	1.180.210.013		
	DC (25 Hz) / 1		1.180.210.032	1.180.210.033		
	AC (18 Hz) / a			1.180.210.061	1.180.210.064	1.180.210.066