

Preset counters, electronic

LED preset counters **Dual preset counters with 4 switch outputs and analog output** **572**



Counter series for demanding applications with two individually scalable encoder inputs, each A, /A, B, /B, for count frequencies up to 1 MHz per channel.

Programmable operating modes include position or event counter, totalizer, difference counter, cut-to-length display, diameter calculation and many more.

AC/DC 24/17 ... 30V	DIN 96x48	IP65	1 MHz	Operation with gloves	TTL, HTL and RS422 input	6/8 LEDs	DC out 5 / 24 V	mA, V	4	RS232
Supply voltage	DIN front bezel	High protection level	2 inputs	Operation with gloves	TTL, HTL and RS422 input	LED display	2 x sensor power supply	Analog output optional	Transistor output	Interface

Innovative

- 3 display values: counter 1, 2 as well as calculation-based display.
- 2 separate freely scalable count inputs: HTL or TTL (also with inverted inputs) max. input frequency 1 MHz/channel.
- Very bright LED display, 15 mm (6-digit) and 10 mm (8-digit) high.
- 4 freely programmable fast solid-state outputs, each with 350 mA output current.
- Step or tracking presets.
- Simple programming – with function codes, dependent on the operating mode selected.
- With 8 different fixed count functions, such as simple count, difference count and total count of both inputs, batch counter etc.

Compact and multifunctional

- AC and DC supply voltage in one device.
- Simple programming with 4 keys and programmable dual functions.
- Can be used as counter or position display with limit values, where 2 values are monitored or calculated with respect to each other.
- 4 fast, programmable inputs with various functions, such as reset, gate, display memory (store), reference input or switching between the display values.
- Scalable analog output 0/4 ... 20 mA, ±10 V or 0 ... 10 V.
- RS232 interface as standard, for parameter setting, readout of values or for modifications during operation.
- 2 auxiliary power supplies for sensors: 5.2 V DC and 24 V DC.

Order specifications

4 fast switch outputs and serial interface (RS232)

- 6 digits
- 6 digits, scalable analog outputs
- 8 digits
- 8 digits, scalable analog outputs

Order no.

- 6.572.0116.D05** ¹⁾
- 6.572.0116.D95** ¹⁾
- 6.572.0118.D05** ¹⁾
- 6.572.0118.D95** ¹⁾

Delivery specification

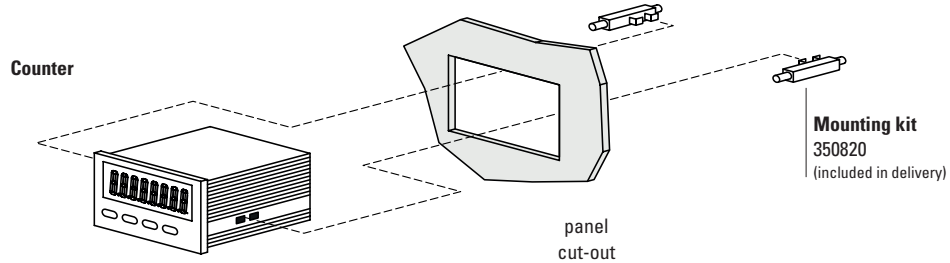
- Controller 572
- Gasket
- Fastening set
- Instruction manual German/English

1) Stock types

Preset counters, electronic

LED preset counters **Dual preset counters with 4 switch outputs and analog output** **572**

Accessories / Mounting examples



		Type / size	Description		Order no.	
Mounting kit			1 kit consists of 2 latch hooks		350820	
Mounting frame		cut-out 92 x 45 mm [3.62 x 1.77"]	for snap-on mounting on 35 mm [1.38"] top-hat DIN rail	grey	G300005	–
Software for parameter setting OSxx			https://www.kuebler.com/de/docu-finder search box: OS1			

incl. in delivery

Technical data

General technical data

Display	6 digits 8 digits	LED display, 15 mm mm [0.59"]high LED display, 10 mm mm [0.39"]high
Operating temperature	0 °C ... +45 °C [+32 °F ... +113 °F] (non-condensing)	
Storage temperature	-25 °C ... +70 °C [-13 °F ... +158 °F]	

Electrical characteristics

Supply voltage	24 V AC, + 10 % 24 (17 ... 30) V DC	
Current consumption DC	100 mA + current consumption encoder	
Connected load AC	15 VA	
Auxiliary power supply output for sensors	2 x 5.2 V DC, each 150 mA 2 x 24 V DC, each 120 mA	
EMC standards	EN 55011 class B, EN 61000-6-2, EN 61000-6-3, EN 61326-3-2	
Device safety	designed to protection class application area	EN 61010 part 1 2 pollution level 2

Mechanical characteristics

Housing	Noryl UL94-V-0	
Screw terminal	cable cross-section	max. 1.5 mm ² [AWG 25]
Protection	IP65 (front side)	
Weight	approx. 250 g [8.82 oz]	

Inputs

Universal incremental encoder inputs	2	
Count frequency (per encoder)	RS422 and TTL with Inv. HTL asymmetric TTL asymmetric	1 MHz 200 kHz 200 kHz
Control inputs HTL	4	
Input resistor	3.3 kOhm	
Switching level	LOW HIGH	< 2.5 V > 10 V
Min. pulse duration	50 µs	

Outputs

Switch outputs	4 fast power transistors	
Reaction time	5 ... 30 V DC, 350 mA < 1ms ¹⁾	
Inductive loads require a freewheeling diode		
Serial interface	RS232	
2400 ... 38400 Baud		
Analog outputs		
Current	0 / 4 ... 20 mA	
Load	max. 270 Ohm	
Voltage	0 ... +10 V (max. 2 mA)	
Resolution	14 bit	
Precision	0.1 %	
Reaction time	< 1 m	

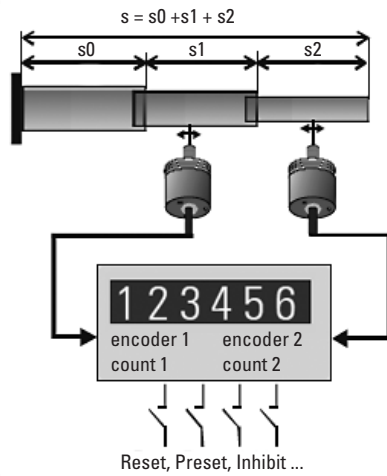
1) Intensive serial communication can temporarily prolong the reaction time

Preset counters, electronic

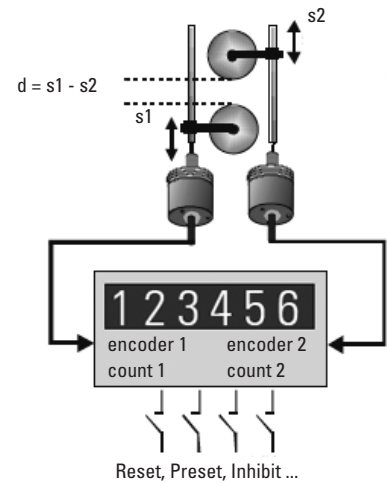
LED preset counters Dual preset counters with 4 switch outputs and analog output 572

Application examples

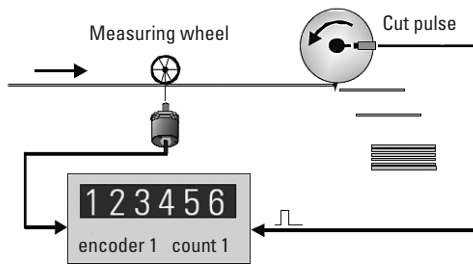
Total position display



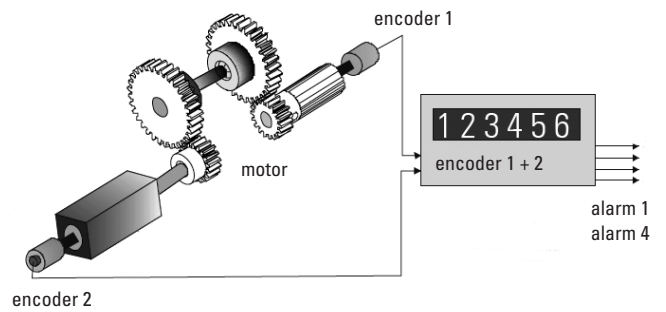
Difference position display



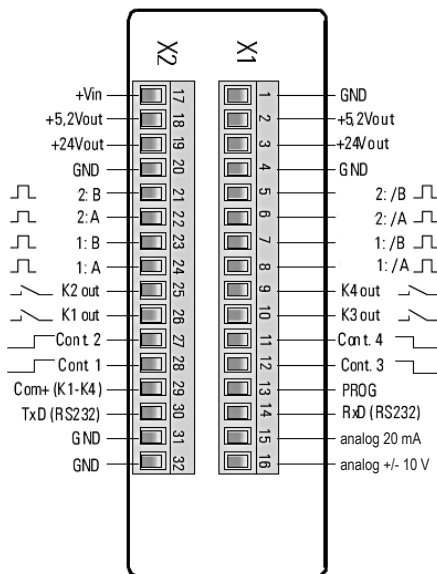
Measurement of the effective cut amount



Monitoring of torsion, shafts or gear breakage

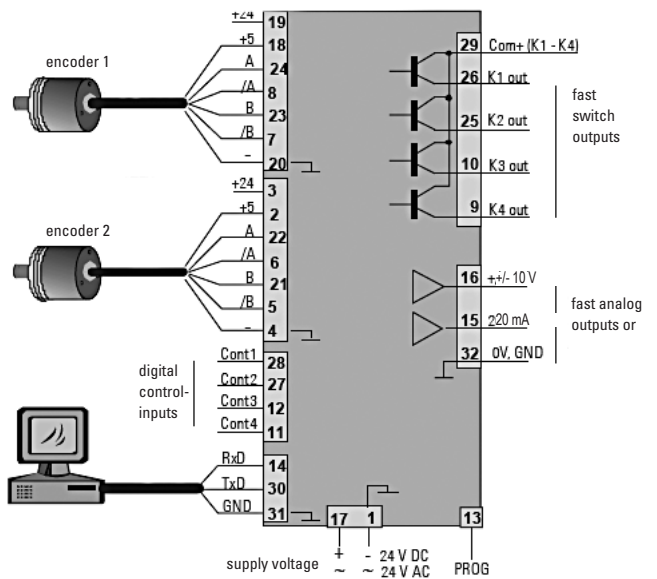


Terminal assignment



Connection examples

Example shows encoder with 5 V-supply and TTL / RS422-output

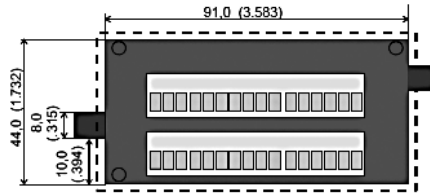
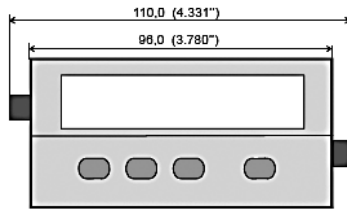


Preset counters, electronic

LED preset counters **Dual preset counters with 4 switch outputs and analog output** **572**

Dimensions

Dimensions in mm [inch]



Panel cut-out 92 x 45 mm [3.62 x 1.77]

