

Energy meters

Dual function counters **Energy and time (AC)** **HW 66 / HW 66 M**



MID approved



The HW 66 and HW 66 M combination meters consist of an hour meter and an energy meter. These panel-mounted devices require only a limited installation depth and can be used in a wide variety of application areas. The count pulses can be read out via the SO output.

Additional model:
HW 66 M – MID version for applications requiring official calibration.



AC 115...230V Supply voltage	 -20°...+55°C Temperature range	 DIN 48 x 48 DIN front bezel	 IP65 High protection level	 12345 12345 No reset	 2 x 6 2 x 6 digit Display	 kWh Energy meter	 Timer
-------------------------------------------	---------------------------------------	------------------------------------	-----------------------------------	--------------------------------	-------------------------------------	-------------------------	-----------

Product features

- Metering of hours run and energy consumption in one compact device – panel mounting.
- Wide temperature range.
- Remote readout via SO outputs on request.
- Shows both values in parallel.
- Easy-to-read display – can also be read if no voltage present.

Benefits

- Tamper-proof fixed installation with high degree of protection.
- High measuring accuracy.
- Can be officially calibrated (MID).

Applications

Dehumidifiers, hire equipment and machinery, air-conditioning, production equipment, current generators.

Order specifications

Type	Voltage	Order no.	Delivery includes	Only for MID version:
HW 66	230 V AC	3.563.201.075 ¹⁾	• Counter	• Type plate
HW 66	115 V AC	3.563.201.074 ¹⁾	• Flat gasket	If the type plate on the side of the HW 66 M is no longer legible after the installation, the provided additional type plate can be affixed on the front panel of the device in order to comply if necessary with the legal requirements relating to calibration.
MID version: HW 66 M	230 V AC	3.56M.201.075 ¹⁾	• Mounting clip • Instruction manual	

Accessories

	Type / size	Description	Order no.
Mounting frame		with cut-out 50 x 50 [2.36 x 2.36] via separate adapter also for 45 x 45 [1.77 x 1.77] for snap-on mounting on 35 [1.38] top-hat DIN rail	G300003
Gasket counter	48 x 48 mm [1.89 x 1.89]		N511018

incl. in delivery

1) Standard stock model

Energy meters

Dual function counters Energy and time (AC) HW 66 / HW 66 M

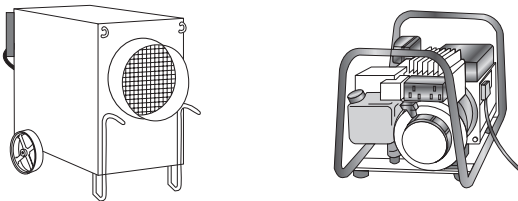
Technical data

General technical data	
Supply voltage	115/230 V AC, -20 % / +15 % 50 or 60 Hz
Digits	2 x 6 digit (decimale places red)
Height of figures (optical)	4 x 1.7 mm [0.16 x 0.067"]
Colour of figures	white and red on black
Operating temperature	HW 66 -20 °C ... +55 °C [-4 °F ... +131 °F] HW 66 M -10 °C ... +55 °C [+14 °F ... +131 °F] (non-condensing)
Storage temperature	-25 °C ... +65 °C [-13 °F ... +149 °F]
Relative humidity at +30 °C [+86 °F]	≤ 80 % (non-condensing)
Altitude	up to 2000 m [6562']
Housing	DIN panel-mount 48 x 48 mm [1.89 x 1.89"]
Depth	55 mm [2.17"]
EMC standards	EN 55011 classe B, EN 61000-6-2, EN 61000-6-3, EN 61326-3-2
Measuring instruments directive (MID)	EN 50470-1, EN 50470-3
Protection	IP65, EN 60529 (front side) IP20 (rear side)
Connections	screw terminal, touch-safe
Max. core cross-section	inputs/outputs 2.5 mm ² [AWG 13] SO output 2.5 mm ² [AWG 13]
LED function	LED on when supply voltage is connected LED blinks when energy is being measured

Energy meter	
Display	99999.9 kWh
Accuracy	class B, acc. to MID (for 50 Hz version)
Current	I _B = 5 A, I _{max} = 16 A
Current limits	≥ 20 mA up to 16 A
Start current	≥ 20 mA
SO output	1000 pulses/kWh, 5 ... 30 V DC, I _{max} = 20 mA
Pulse duration	50 ms

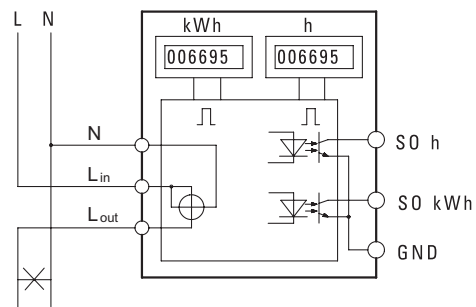
Hour meter	
Display	99999.9 h (0.1 h = 6 min)
Accuracy	± 2 %
SO output	10 imp/h, 5 ... 30 V DC, I _{max} = 20 mA
Pulse duration	50 ms
Start (Operating time)	with voltage applied to L _{in}
This hour meter shall not be used for electricity consumption calculation.	

Applications



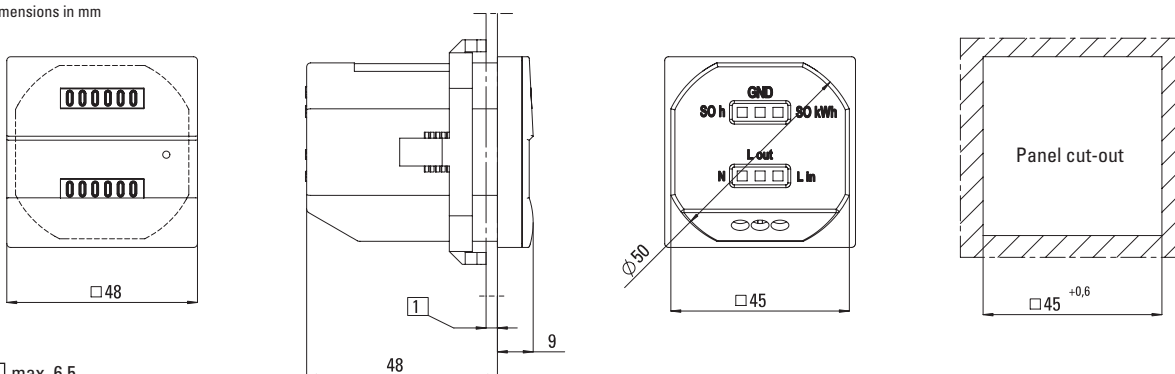
Retro- or standard fitting in dehumidifiers, current generators, air-conditioning, production equipment etc. for the accurate, traceable billing of operating and energy costs – especially also for hire equipment.

Terminal assignment



Dimensions

Dimensions in mm



1 max. 6.5