



- One module for all fields of application
- High flexibility thanks to the junction box
- Low installation depth

The ComEx^{flex} potentiometer is used in almost all hazardous (potentially explosive) areas where machine functions are controlled by means of adjustable voltage distributors. The module can be combined with a potentiometer actuator (scale graduation 0 to 10). A junction box is available as a safe and convenient means of installing the potentiometer in a control panel. The conductors are connected by means of terminals on the back of the module which have an increased safety level. The easy installation of the potentiometer actuating element without the need for tools, ensures conformance to the high IP degree of protection.

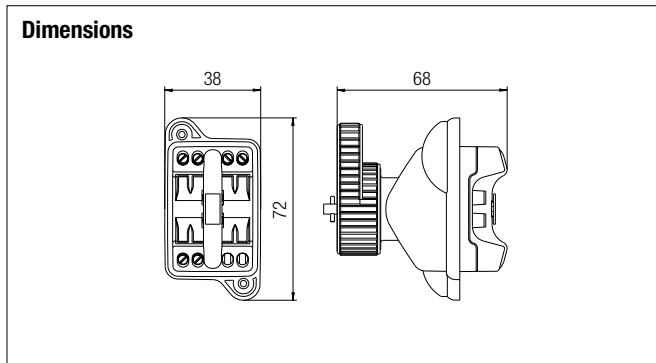
Explosion protection

| | |
|--|---|
| Marking ATEX | II 2G Ex db eb IIC Gb I M2 Ex db eb I Mb |
| Certification | CML 17 ATEX 1119 U |
| Marking IECEx | Ex db eb IIC Gb Ex db eb I Mb |
| Certification | IECEx CML 17.0057U |
| Other approvals and certificates, see www.bartec.de | |
| Ambient temperature | -55 °C to +60 °C |

Technical data

| | |
|-----------------------------------|---|
| Protection class | determined by the actuating element and control station enclosure, min. IP 66, terminals IP 20 (IEC 60529). |
| Rated insulation voltage | 500 V |
| Max. rated voltage | AC/DC 230 V |
| Resistance | 1 kΩ to 10 kΩ |
| Curve shape | linear |
| Resistance tolerance | + 20 % |
| Rated output | max. 1 W for $T_a \leq +40$ °C |
| Resistor material | carbon film on ceramics |
| Rotation | mech. 285° to 5° electr. approx. 250° |
| Torque (beginning) | 0.5 to 1.5 Ncm |
| Torque (end stop) | ≥ 100 Ncm |
| Enclosure material | thermoplastic |
| Connection | double terminals 2 x 2.5 mm ² , fine-stranded |
| Mechanical life | 25,000 sinusoidal cycles |
| Storage and transport temperature | -55 °C to +70 °C |
| Weight | approx. 110 g |

Dimensions



Ordering information

| Wiring diagram | Resistance | Code no. |
|----------------|------------|----------|
| | 1 kΩ | 4 |
| | 2.2 kΩ | 5 |
| | 4.7 kΩ | 6 |
| | 10 kΩ | 7 |

Other levels of resistance on request.

Complete order no.

Potentiometer without actuating element 07-3373-4D 0

Please enter code number.

Technical data subject to change without notice.

Actuating element

| | |
|--|----------------------------|
| Standard (Scale 1 to 10) | Order no. 05-0003-007600 |
| Increased oil resistance (Scale 1 to 10) | Order no. 05-0003-007600BN |

Notes for installation and inspection

At rated voltage:
 ≤ AC 50 V/≤ DC 120 V
 (Safety extra low voltage in conformance to DIN VDE 0100 T. 410)
 The potentiometer drive shaft can be operated without actuating element.

At rated voltage:
 ≥ AC 50 V to max. AC/DC 230 V
 Potentiometer drive shaft must be operated with an actuating element or it must be deenergized.