

Voltage Monitoring Relays

GKRC - DGRC - MCC Series



GKRC-02F

GKRC-20F

GKRC-01

GKRC series voltage monitoring relays are designed to protect single or three-phase systems against voltage changes and incorrect phase sequence. When the nominal voltage of any phase increases or decreases by 50%, the relay is switched to OFF without delay.

DGRC series voltage monitoring relay is designed to protect single or three-phase systems in cases of permanent voltage drops.



PRODUCT SELECTION TABLE

Product Code	Neutral Failure	3-Phase	Single Phase	Under Voltage	Over Voltage	Phase Failure	Phase Seq. Failure	ON Delay	OFF Delay	Without Neutral	Auxiliary Supply	DIN1 Rail mounting	DIN2 Rail mounting	Pcs / Box
DGRC-01	●	●		■				●	●				●	16
GKRC-01	●	●			■			●	●				●	16
GKRC-02	●	●		■	■			●	●				●	16
GKRC-02F	●	●		■	■	●	●	●	●				●	16
GKRC-02FA		●		■	■	●	●	●	●	●	●		●	16
GKRC-03		●		■	■			●	●	●			●	16
GKRC-03F		●		■	■	●	●	●	●	●			●	16
GKRC-M2	●		●	■	■			●	●				●	16
MCC-1D	●		●	●		●		●				●		28
MCC-3D	●	●		●		●		●				●		28
GKRC-20F		●		○	○	●	○		●			●		10

■ Adjustable and can be switched off.
○ Selectable.

SPECIFICATIONS

	GKRC-02	GKRC-02F	GKRC-20F	GKRC-02FA	GKRC-03	GKRC-03F	GKRC-M2	GKRC-01	DGRC-01	MCC-1D	MCC-3D	
ENCLOSURE												
Dimensions	PK28		PK22	PK28		PK28				Pk22		
Weight	0,3kg/pcs		0,1kg/pcs	0,3kg/pcs		0,25kg/pcs				0,1kg/pcs		
MEASUREMENTS												
Voltage												
Under Voltage Setting Range	150-210V*		(0,70-1,2)xUn		270-370 VAC*		150-210V*	- 150-210V*		-		
Over Voltage Setting Range	240-300V*		(0,8-1,30)xUn		410-510 VAC*		240-300V*	240-300V*		-		
Instant Tripping Value	0,5xUn 1,5xUn		-		0,5xUn 1,5xUn		1,5xUn 0,5xUn		1,5xUn 0,5xUn		168 VAC	
Instant Tripping Time	100ms.											
Hysteresis	3%											
SUPPLY												
Operating Voltage	230 VAC±10%		230 VAC, 400 VAC±30%		Auxiliary Supply 190-260 VAC		400VAC ±10%	230 VAC±10%				
Operating Frequency	50/60 Hz											
OUTPUT/SETTINGS												
Output Contact	1CO 8A 2000VA cosφ=1											
ON Delay	0,1 -20 sec adjustable		-		0,1 -20 sec adjustable		0,1 -20 sec adjustable		5-15 m. (1-5 m.) adjustable			
OFF Delay	0,1 -20 sec adjustable		0,1 -10 sec adjustable		0,1 -20 sec adjustable		0,1 -20 sec adjustable					
AMBIENT CONDITIONS												
Ambient Temperature/Humidity	-5 / +55°C ; 90%											
Over Voltage Category	III											
CONNECTIONS												
Mounting	Rail Mounting; Terminal with screw											
Connection Types	3 phase, neutral			3 phase, without neutral			1 phase, neutral	3 phase neutral	1 phase neutral	3 phase neutral		
STANDARDS												
Standards	EC 60255-3, EC 60255-6, EC 60870-5, EC 60529											

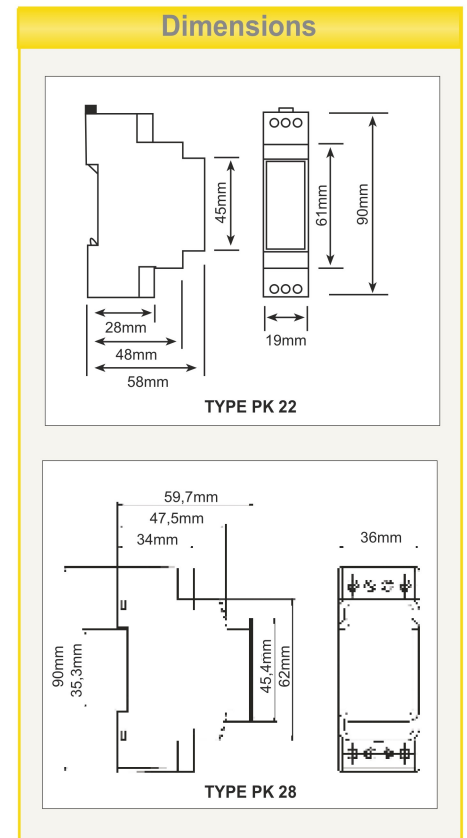
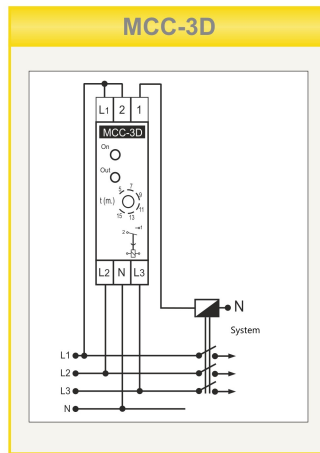
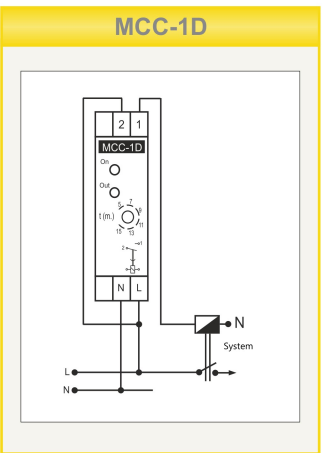
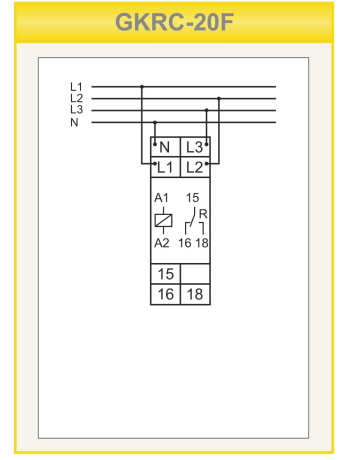
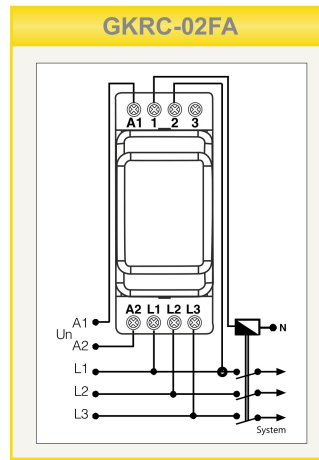
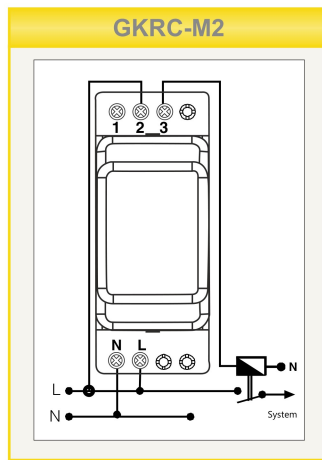
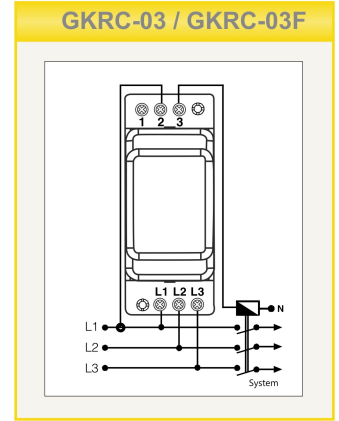
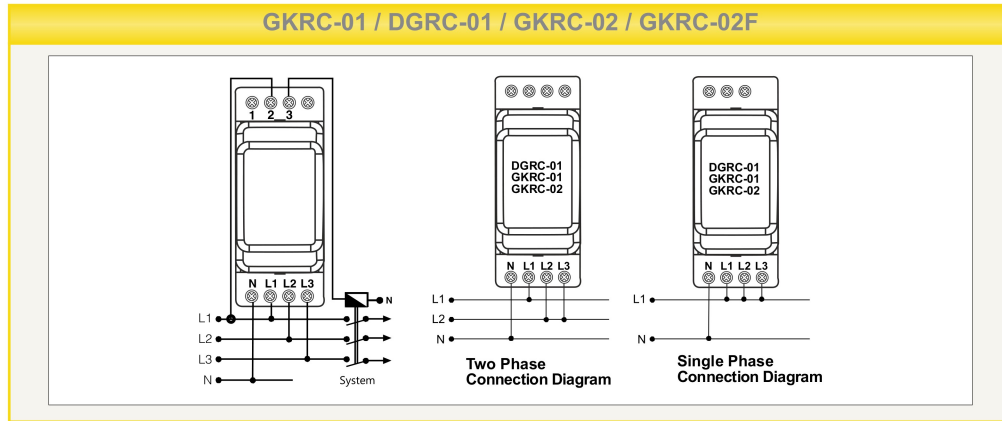
*These features can be switched-off by user



Voltage Monitoring Relays

GKRC - DGRC - MCC Series

Connection Diagram



Connection diagrams are given for reference. Please always check the latest user manual given with product or download from www.entec.com.tr

