

Electronic Audible Signal Devices / Electronic Buzzers Installation 107

Installation Buzzer Contin. 12/24VAC/DC



Part No.: 107.000.70

**MECHANICAL DATA**

| | |
|------------------------------|-----------------------------|
| Height | 61 mm |
| Diameter | 28 mm |
| Materials | PA-GF |
| Housing colour | Black |
| Protection category | IP65 |
| Connection | Screw terminals |
| cross-sectional area maximum | 1,50mm ² / 16AWG |
| Type of fixing | Built-in mounting |
| Working temperature minimum | -20°C |
| Working temperature maximum | +50°C |
| Weight with packaging | 32 g |
| Product weight | 20 g |

ELECTRICAL DATA

| | |
|-----------------------------|--------------------------------|
| Operating voltage | 12V 24V |
| Operating voltage type | AC/DC |
| Operating voltage tolerance | +/- 10% |
| Rated operational voltage | 24 VDC |
| Rated operational current | 8 mA |
| Rated inrush current | 30 mA |
| Protection class | Protection class 2 |
| Pollution degree | 3 In the connection area: 2 |

ACUSTICAL DATA

| | |
|-------------------------------|-----------------|
| Volume (max) at 1m distance | 60,0 dB (A) |
| Volume (max) at 10cm distance | 80,0 dB (A) |
| Acoustic signal image | Continuous tone |
| Number of tones | 1 tone |
| Audio frequency | 2400 Hz |
| Acoustic service life | 5,000 h minimum |

APPROVAL DATA

| | |
|-----------------------------|-------|
| Conforms with CE | Yes |
| WEEE | Yes |
| Conforms with RED directive | No |
| Conform with ATEX-directive | No |
| Conforms with CCC | No |
| Conforms with UL | cULus |

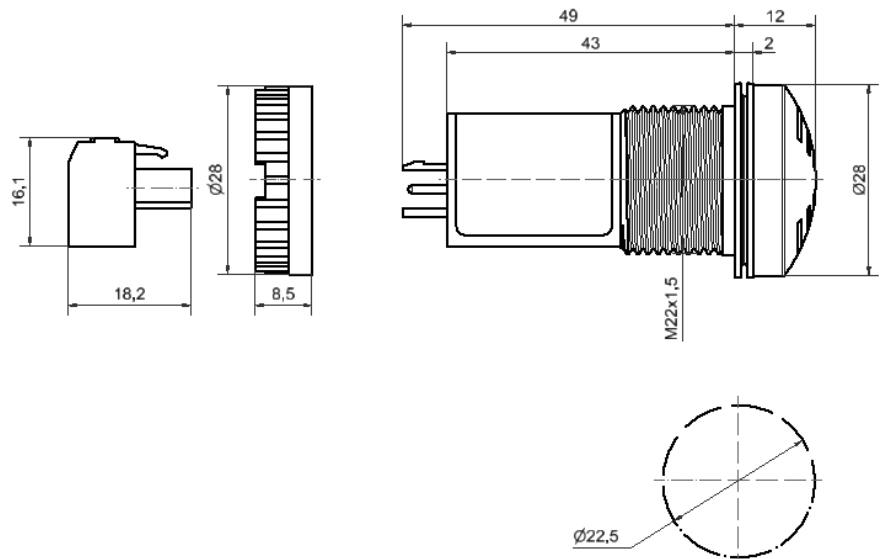


For additional installation and mounting information, refer to the appropriate user guide at www.werma.com. This printed copy is for information only and is subject to alteration.

Electronic Audible Signal Devices / Electronic Buzzers Installation 107
Installation Buzzer Contin. 12/24VAC/DC

| | |
|-------------------------------|-----------------------|
| UL Type Rating | Type 4X |
| Conforms with FCC | No |
| Conforms with IC | No |
| EAC certificate available | Yes |
| Conforms with UKCA (Importer) | Yes (WERMA (UK) Ltd.) |
| Conforms with AS-I | No |
| Conforms with GL | No |
| Conforms with RoHS CN | No |
| Conforms with VdS | No |

DRAWING



! For additional installation and mounting information, refer to the appropriate user guide at www.werma.com. This printed copy is for information only and is subject to alteration.