

Design multi-tone sounder / Multi-t.sounder 140

Multi-t.sounder WM 32 tne 115-230VAC RD



Part No.: 140.150.60



MECHANICAL DATA	
Height	110 mm
Diameter	100 mm
Materials	PC/ABS
Housing colour	Red
Protection category	IP65
Connection	Screw terminals
cross-sectional area maximum	2,50mm ² / 14AWG
Cable entry	Through hole
Type of fixing	Wall mounting
Acoustic service life	5,000 h minimum
Working temperature minimum	-40°C
Working temperature maximum	+70°C
Weight with packaging	338 g
Product weight	299 g

ELECTRICAL DATA	
Operating voltage	115-230V
Operating voltage type	AC
Operating voltage type	50Hz at 230V 60Hz at 115V
Operating voltage tolerance	+/- 10%
Rated operational voltage	230 VAC
Rated operational current	40 mA
Protection class	Protection class 2
Pollution degree	3
Overvoltage category	II
Isolation voltage	Ui = 250V; Uimp = 2.500V

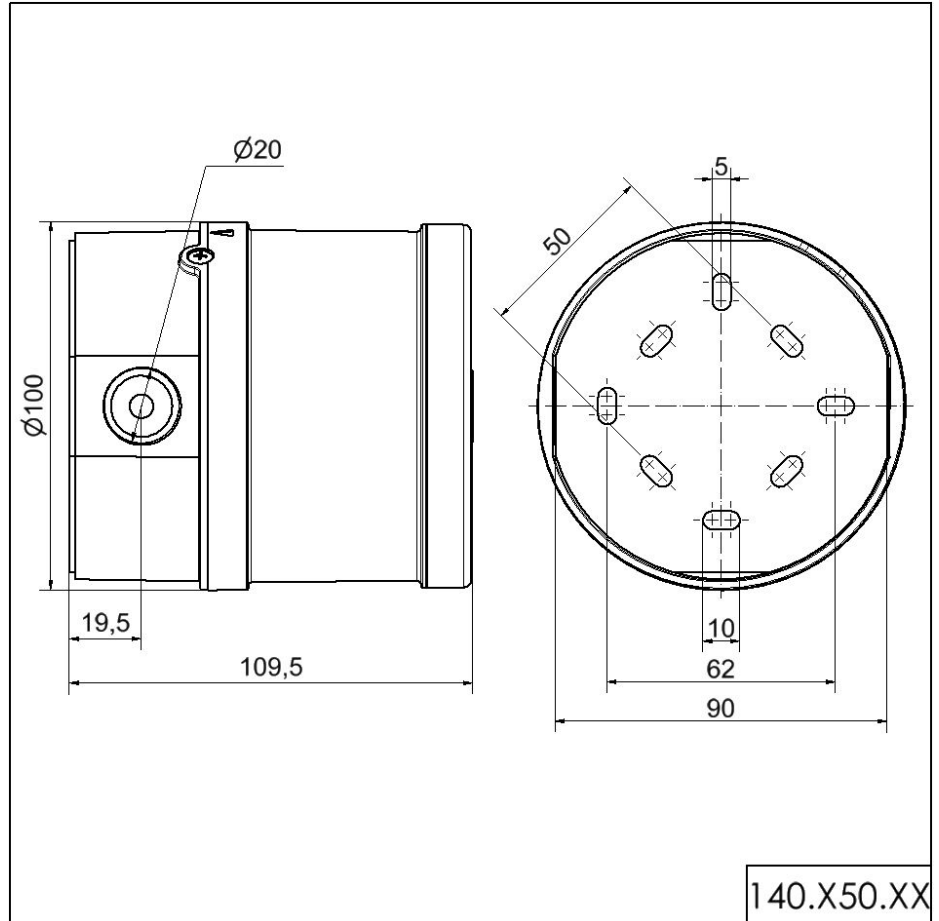
ACUSTICAL DATA	
Volume/dB(max) at 1m distance	115,0 dB dB(A)
Acoustic signal image	Multi-tone
Number of tones	32 tone

! For additional installation and mounting information, refer to the appropriate user guide at www.werma.com. This printed copy is for information only and is subject to alteration.

Design multi-tone sounder / Multi-t.sounder 140

Multi-t.sounder WM 32 tne 115-230VAC RD

DRAWING



For additional installation and mounting information, refer to the appropriate user guide at www.werma.com. This printed copy is for information only and is subject to alteration.