

Midi Horns and Sirens / Signal Horn 570

**Signal horn WM Contin. tone 230VDC GY**



Part No.: 570.052.58



| MECHANICAL DATA              |                             |
|------------------------------|-----------------------------|
| Length                       | 152 mm                      |
| Height                       | 350 mm                      |
| Diameter                     | 148 mm                      |
| Housing colour               | Black                       |
| Connection                   | Screw terminals             |
| cross-sectional area maximum | 2,50mm <sup>2</sup> / 14AWG |
| Cable entry                  | Through hole                |
| Cable entry maximum          | d = 10 mm                   |
| Type of fixing               | Wall mounting               |
| Service life optical         | 250 h minimum               |
| Acoustic service life        | 250 h minimum               |
| Working temperature minimum  | -20°C                       |
| Weight with packaging        | 1047 g                      |
| Product weight               | 916 g                       |

| ELECTRICAL DATA      |                          |
|----------------------|--------------------------|
| Protection class     | Protection class 2       |
| Pollution degree     | 3                        |
| Overvoltage category | II                       |
| Isolation voltage    | Ui = 250V; Uimp = 2.500V |

| ACUSTICAL DATA        |                 |
|-----------------------|-----------------|
| Acoustic signal image | Continuous tone |

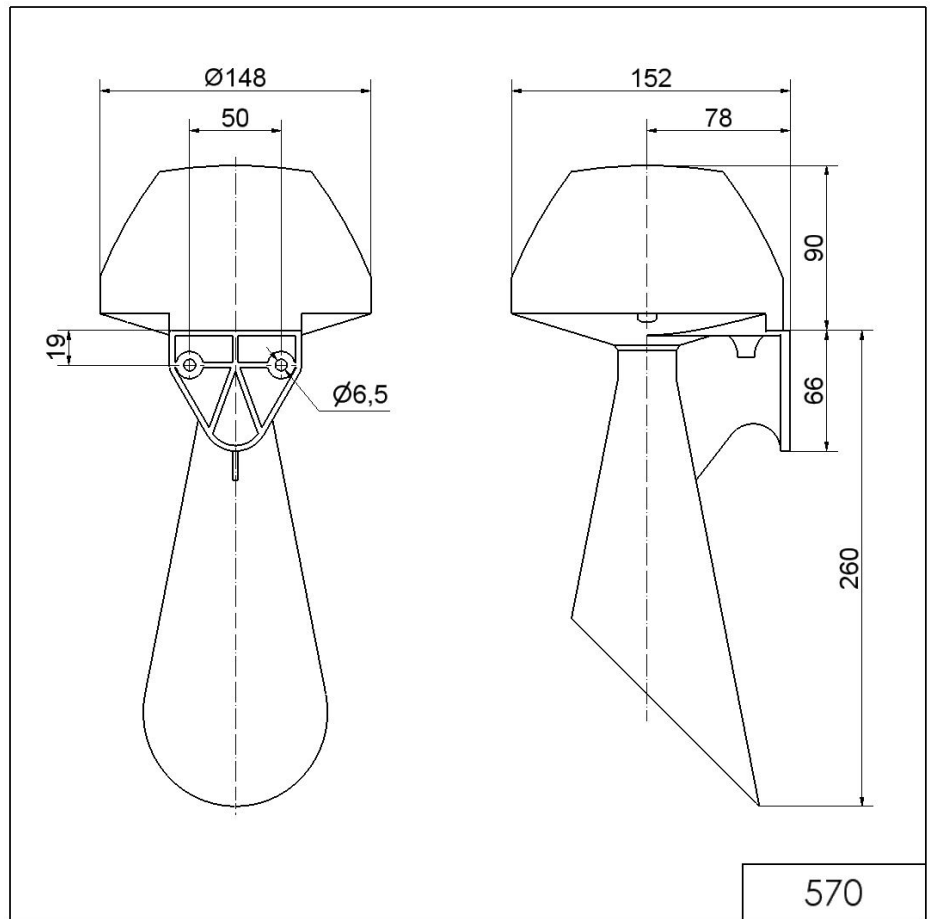


For additional installation and mounting information, refer to the appropriate user guide at [www.werma.com](http://www.werma.com). This printed copy is for information only and is subject to alteration.

Midi Horns and Sirens / Signal Horn 570

**Signal horn WM Contin. tone 230VDC GY**

**DRAWING**



For additional installation and mounting information, refer to the appropriate user guide at [www.werma.com](http://www.werma.com). This printed copy is for information only and is subject to alteration.