

Midi Horns and Sirens / Horn for bracket mounting 574/575

Signal horn WM Contin. tone 24VAC/DC GY

Part No.: 574.000.75

**MECHANICAL DATA**

Height	340 mm
Diameter	134 mm
Materials	PC/ABS
Housing colour	Grey
Protection category	IP65
Connection	Screw terminals
cross-sectional area maximum	1,50mm ² / 16AWG
Cable entry	Membrane grommet
Cable entry minimum	d = 1 mm
Cable entry maximum	d = 13 mm
Type of fixing	Wall mounting
Service life optical	5,000 h minimum
Acoustic service life	5,000 h minimum
Working temperature minimum	-30°C
Working temperature maximum	+50°C
UL Type Rating	Type 12
Weight with packaging	620 g
Product weight	500 g

ELECTRICAL DATA

Operating voltage	24V
Operating voltage type	AC/DC
Operating voltage type	50Hz
Operating voltage tolerance	+/- 10%
Rated operational voltage	24 VDC
Rated operational current	55 mA
Rated inrush current	200 mA
Protection class	Protection class 2
Pollution degree	3

ACUSTICAL DATA

Volume/dB(max) at 1m distance	108,0 dB dB(A)
Acoustic signal image	Continuous tone
Audio frequency	110 Hz

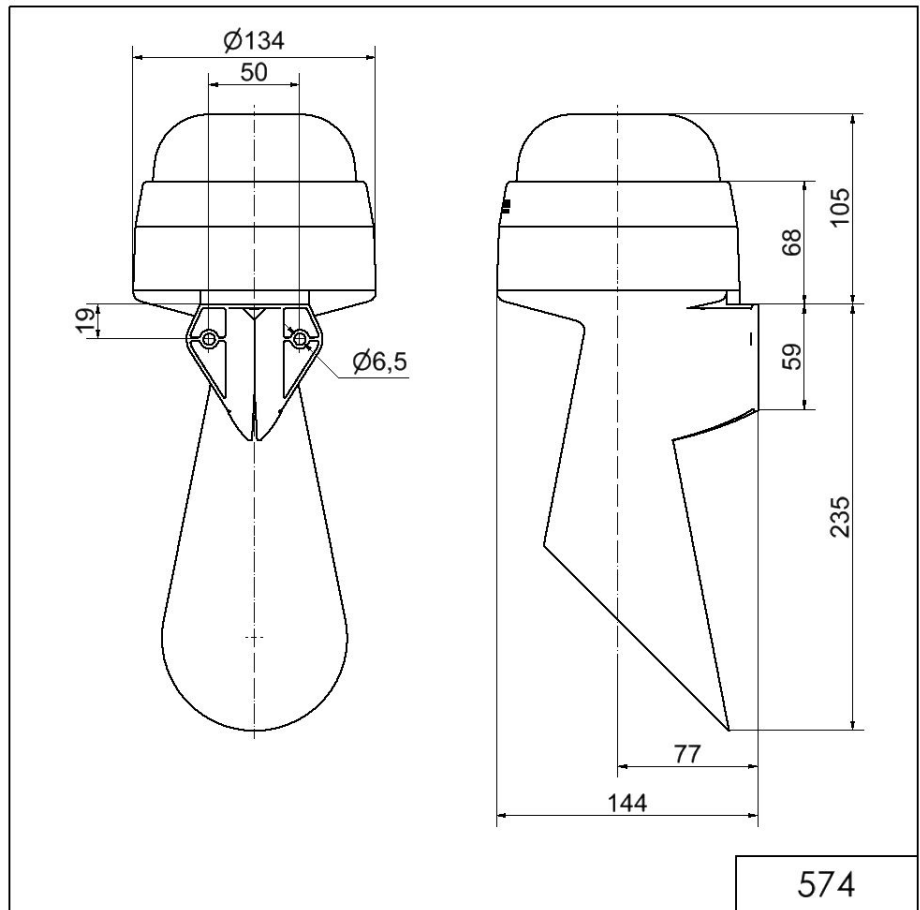


For additional installation and mounting information, refer to the appropriate user guide at www.werma.com. This printed copy is for information only and is subject to alteration.

Midi Horns and Sirens / Horn for bracket mounting 574/575

Signal horn WM Contin. tone 24VAC/DC GY

DRAWING



For additional installation and mounting information, refer to the appropriate user guide at www.werma.com. This printed copy is for information only and is subject to alteration.