

FlexSQUARE / LED Double Flash Beacon 853

LED Double Flash Beacon BWM 115-230VAC C

Part No.: 853.410.60



| MECHANICAL DATA | |
|------------------------------|--------------------------------|
| Length | 85 mm |
| Width | 85 mm |
| Height | 72 mm |
| Materials | PC PP-GF |
| Dome colour | Clear |
| Housing colour | Black |
| Protection category | IP66 IP67 |
| Connection | Screw terminals |
| cross-sectional area maximum | 1,50mm ² / 16AWG |
| Cable entry | Membrane grommet |
| Cable entry minimum | d = 1 mm d = 6 mm |
| Cable entry maximum | d = 12 mm d = 9 mm |
| Type of fixing | Base mounting Wall mounting |
| Service life optical | 50,000 h maximum |
| Working temperature minimum | -25°C |
| Working temperature maximum | +50°C |
| Weight with packaging | 188 g |
| Product weight | 157 g |
| ELECTRICAL DATA | |
| Operating voltage | 115-230V |
| Operating voltage type | AC |
| Operating voltage frequency | 50Hz at 230V 60Hz at 115V |
| Operating voltage tolerance | +/- 10% |
| Rated operational voltage | 230 VAC |
| Rated operational current | 180 mA |
| Rated inrush current | 7.000 mA |
| Protection class | Protection class 2 |
| Pollution degree | 3 |
| Overvoltage category | II |
| Isolation voltage | Ui = 250V; Uimp = 2.500V |
| OPTICAL DATA | |
| Light source | LED |



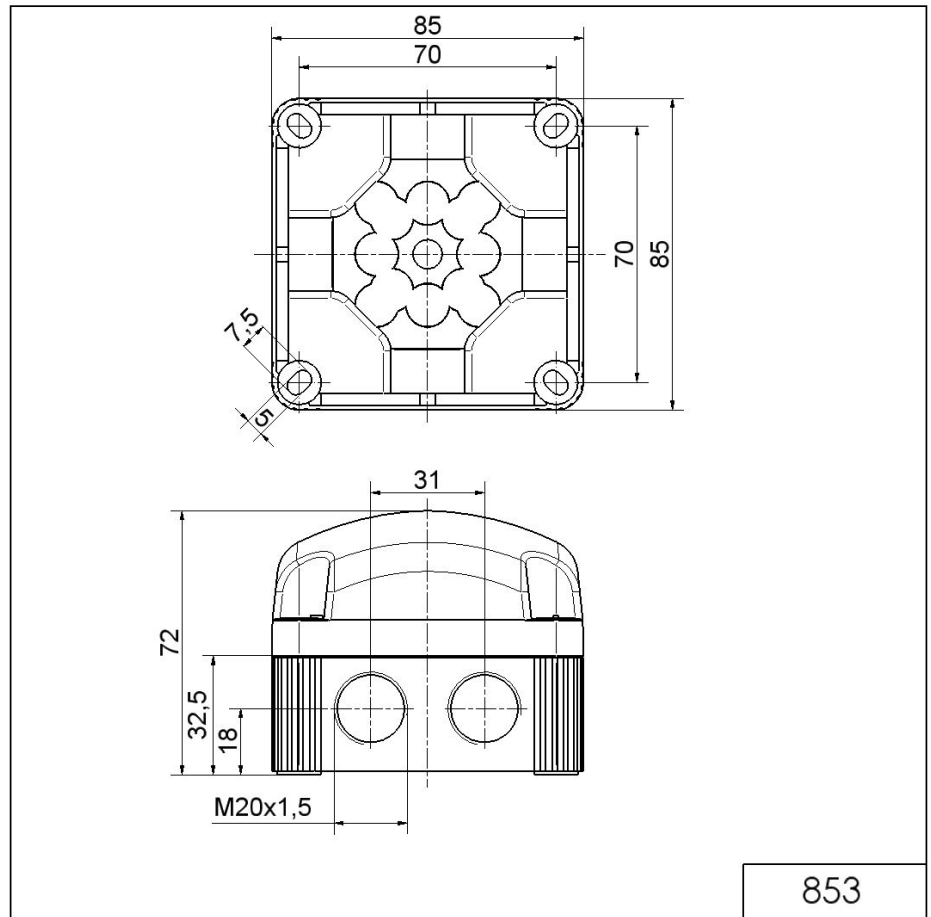
For additional installation and mounting information, refer to the appropriate user guide at www.werma.com. This printed copy is for information only and is subject to alteration.

FlexSQUARE / LED Double Flash Beacon 853

LED Double Flash Beacon BWM 115-230VAC C

| | |
|----------------------|--------------|
| Light colour | White |
| Optical signal image | Double flash |
| Flash frequency | 1 Hz |

DRAWING



! For additional installation and mounting information, refer to the appropriate user guide at www.werma.com. This printed copy is for information only and is subject to alteration.