

FlexSQUARE / LED Double Flash Beacon 853

**LED Double Flash Beacon BWM 48VAC CL**



Part No.: 853.410.66



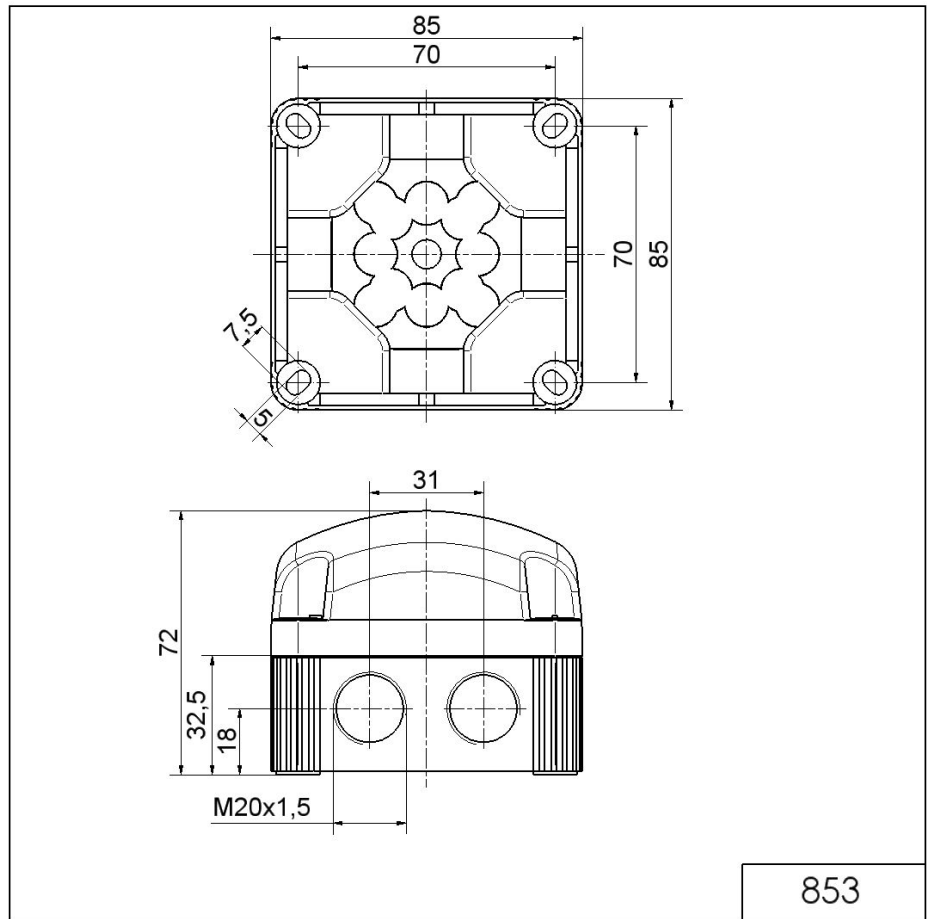
| MECHANICAL DATA              |                                |
|------------------------------|--------------------------------|
| Length                       | 85 mm                          |
| Width                        | 85 mm                          |
| Height                       | 72 mm                          |
| Materials                    | PC<br>PP-GF                    |
| Dome colour                  | Clear                          |
| Housing colour               | Black                          |
| Protection category          | IP66<br>IP67                   |
| Connection                   | Screw terminals                |
| cross-sectional area maximum | 1,50mm <sup>2</sup> / 16AWG    |
| Cable entry                  | Membrane grommet               |
| Cable entry minimum          | d = 1 mm<br>d = 6 mm           |
| Cable entry maximum          | d = 12 mm<br>d = 9 mm          |
| Type of fixing               | Base mounting<br>Wall mounting |
| Service life optical         | 50,000 h maximum               |
| Working temperature minimum  | -25°C                          |
| Working temperature maximum  | +50°C                          |
| Weight with packaging        | 185 g                          |
| Product weight               | 160 g                          |
| ELECTRICAL DATA              |                                |
| Operating voltage            | 48V                            |
| Operating voltage type       | AC                             |
| Operating voltage frequency  | 50Hz                           |
| Operating voltage tolerance  | +/- 10%                        |
| Rated operational voltage    | 48 VAC                         |
| Rated operational current    | 95 mA                          |
| Rated inrush current         | 2.000 mA                       |
| Protection class             | Protection class 2             |
| Pollution degree             | 3                              |
| OPTICAL DATA                 |                                |
| Light source                 | LED                            |
| Light colour                 | White                          |
| Optical signal image         | Double flash                   |
| Flash frequency              | 1 Hz                           |

! For additional installation and mounting information, refer to the appropriate user guide at [www.werma.com](http://www.werma.com). This printed copy is for information only and is subject to alteration.

FlexSQUARE / LED Double Flash Beacon 853

**LED Double Flash Beacon BWM 48VAC CL**

**DRAWING**



! For additional installation and mounting information, refer to the appropriate user guide at [www.werma.com](http://www.werma.com). This printed copy is for information only and is subject to alteration.