

Maxi free-standing Beacons / Revolving Signal Light 884

Revolving Beacon BM 24VAC/DC GN

Part No.: 884.200.75

**MECHANICAL DATA**

| | |
|------------------------------|-----------------------------|
| Height | 218 mm |
| Diameter | 142 mm |
| Materials | PC PC/ABS |
| Dome colour | Green |
| Housing colour | Black |
| Protection category | IP65 |
| Connection | Screw terminals |
| cross-sectional area maximum | 2,50mm ² / 14AWG |
| Cable entry | Rubber pinch |
| Cable entry minimum | d = 5 mm |
| Cable entry maximum | d = 7 mm |
| Type of fixing | Base mounting |
| Service life optical | 5,000 h minimum |
| Working temperature minimum | -30°C |
| Working temperature maximum | +50°C |
| Weight with packaging | 764 g |
| Product weight | 670 g |

ELECTRICAL DATA

| | |
|-----------------------------|--------------------|
| Operating voltage | 24V |
| Operating voltage type | AC/DC |
| Operating voltage frequency | 50Hz |
| Operating voltage tolerance | +/- 10% |
| Rated operational voltage | 24 VDC |
| Rated operational current | 2 mA |
| Rated inrush current | 1.600 mA |
| Protection class | Protection class 2 |
| Pollution degree | 3 |

OPTICAL DATA

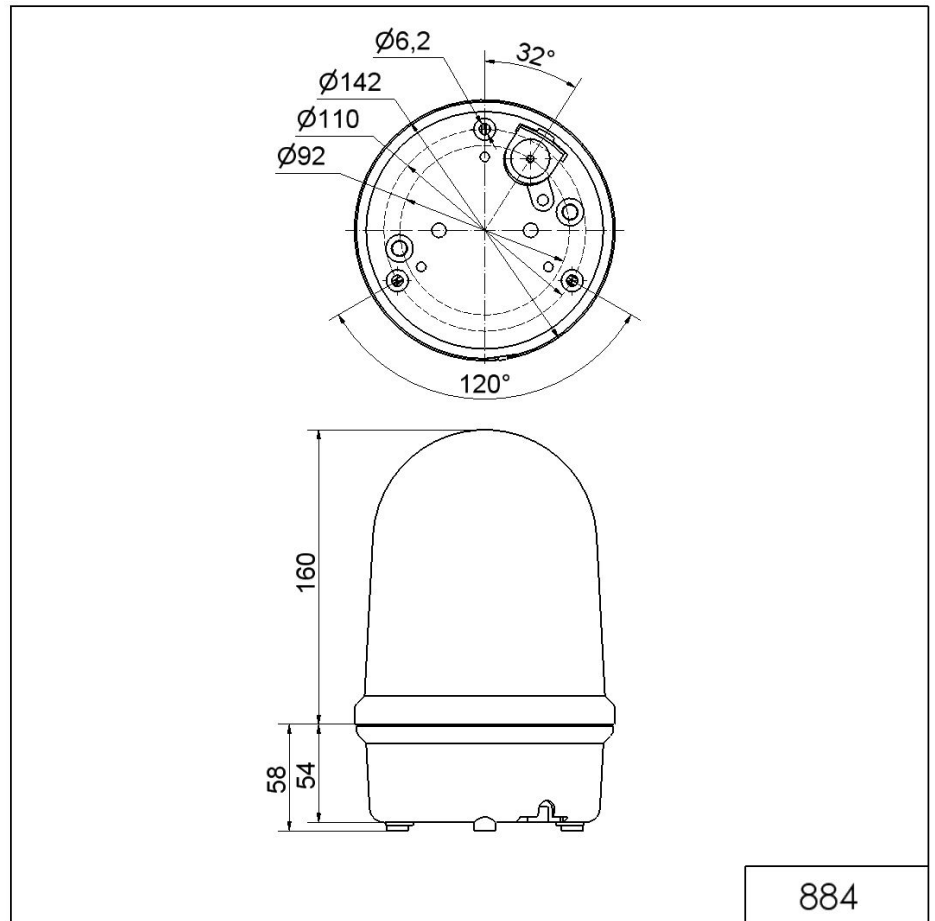
| | |
|--------------------------|--------------|
| Light source | halogen bulb |
| Light colour | Green |
| Rotation frequency (rpm) | 60 U/min |



For additional installation and mounting information, refer to the appropriate user guide at www.werma.com. This printed copy is for information only and is subject to alteration.

Maxi free-standing Beacons / Revolving Signal Light 884
Revolving Beacon BM 24VAC/DC GN

DRAWING



884

! For additional installation and mounting information, refer to the appropriate user guide at www.werma.com. This printed copy is for information only and is subject to alteration.